

WHEELCHAIR
ROLLSTUHL

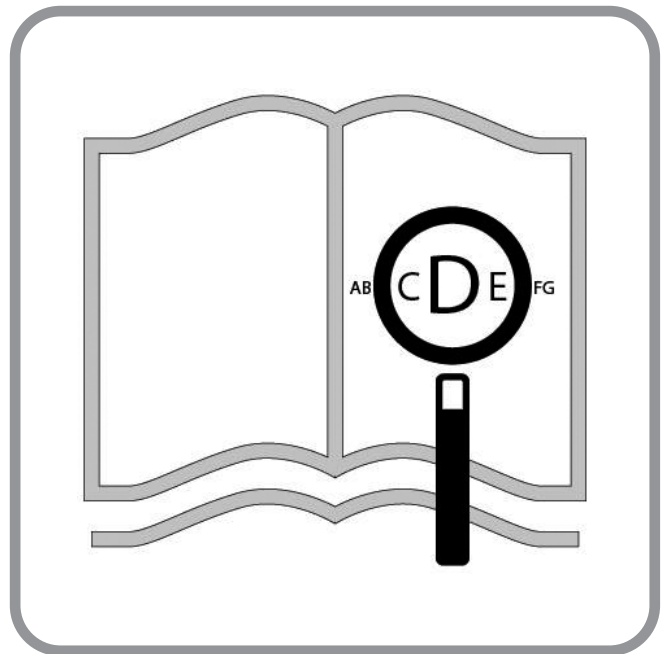


Parix2

DIRECTIONS FOR USE
GEBRAUCHSANWEISUNG

 **Breezy**[®]

000690914



If you are visually impaired, this document can be viewed in PDF format at www.SunriseMedical.co.uk.

Für sehbehinderte Personen steht dieses Dokument im PDF-Format auf www.SunriseMedical.de zur Verfügung.

Wheelchair Components

EN



We at SUNRISE MEDICAL have been awarded the ISO-13485 certificate, which affirms the quality of our products at every stage, from R&D to production. This product complies with the standards set forth in EU and UK regulations. Options or accessories shown are available at extra cost.

Rollstuhlkomponenten

DE



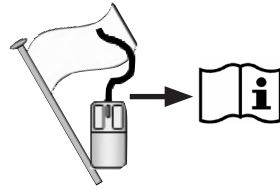
SUNRISE MEDICAL ist nach ISO 13485 zertifiziert und garantiert damit die Qualität unserer Produkte bei allen Entwicklungs- und Produktionsstufen dieses Rollstuhls. Dieses Produkt ist mit den in den EU- und UK-Verordnung dargelegten Anforderungen konform. Hier abgebildete Optionen oder Zubehörteile sind gegen Aufpreis erhältlich.



6

Wheelchair:

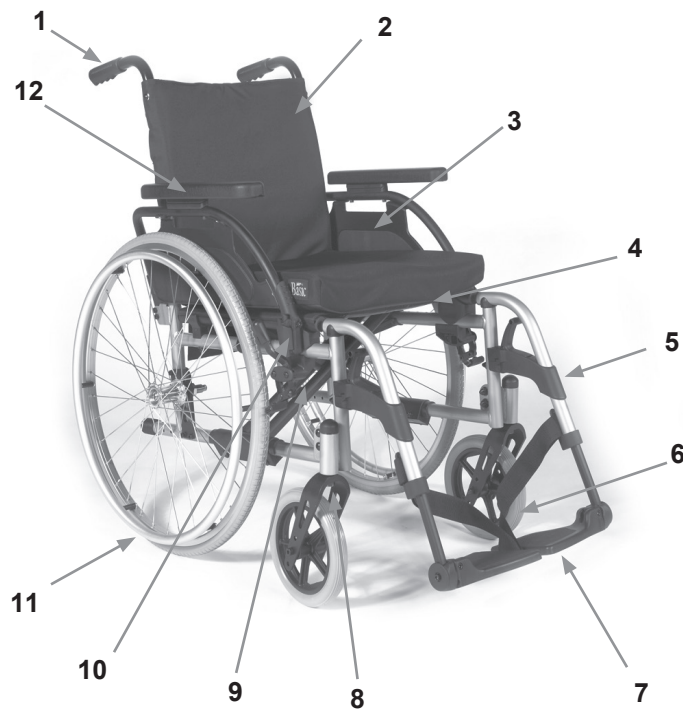
1. Push handles
2. Backrest upholstery
3. Sideguard
4. Seat sling
5. Footrest
6. Castors
7. Foot plate
8. Castor Fork
9. Folding Frame
10. Wheel locks
11. Rear Wheel
12. Arm Pad



21

Rollstuhl:

1. Schiebegriffe
2. Rückenbespannung
3. Seitenteil
4. Sitzbespannung
5. Fußraste
6. Lenkräder
7. Fußbrett
8. Lenkradgabel
9. Kreuzstrebe
10. Feststellbremsen
11. Antriebsrad
12. Armauflage



510mm	8"	1	24"	1	0°
510mm	8"	1	24"	2	3°
485mm	8"	3	24"	2	0°
485mm	8"	3	24"	3	3°
460mm	8"	5	24"	3	0°
460mm	8"	5	24"	4	3°
435mm	6"	5	22"	4	0°

7 Nm

45 Nm

30 Nm

7 Nm

7 Nm

7 Nm

10 Nm

7 Nm 7 Nm

7 Nm

M6 = 7.0 Nm
Nm







	1060 ↑↓ 1010		740 ↑↓ 580		950 ↑↓ 875		500 ↑↓ 350
	510 ↑↓ 435		440 ↑↓ 415		255 ↑↓ 235		535 ↑↓ 530
	425 ↑↓ 410		530 ↑↓ 390		1060 ↑↓ 1010		310 ↑↓ 300
	820 ↑↓ 800						MAX mm ↑↓ MIN mm
	10° ↑↓ 10°		10° ↑↓ 10°		10° ↑↓ 10°		7° ↑↓ 0° MAX MIN
	3° ↑↓ 0°		79° ↑↓ 79°		115° ↑↓ 115°		MAX ↑↓ MIN
	11.0 ↑↓ 9.5		17.6 ↑↓ 16.6		125 ↑↓ ---		MAX kg ↑↓ MIN kg

Table of Contents

Wheelchair Components	2
Definitions	6
Foreword	7
Use	7
Area of Application.	7
General safety notes and driving limits	8
Warranty	10
Technical Data	10
Transportability	11
Handling	13
Transporting the Wheelchair	13
Options - Step Tubes	14
Options - Brakes	14
Options - Footplates	14
Options - Castors	15
Options - Side Guard	16
Options - Back Rest	17
Options - Anti Tip Tubes	17
Options - Crutch Holder	17
Pelvic Restraint Belt	17
Options – Seat depth	18
Options - Therapy Table	18
Name Plate	19
Daily Checks	19
Maintenance and care	20
Trouble Shooting	20
Disposal / Recycling of Materials	20

Definitions

3.1 Definitions of words used in this manual

Word	Definition
 DANGER!	Advice to the user of Potential Risk of serious injury or death if the advice is not followed
 WARNING!	Advice to the user of a potential risk of injury if the advice is not followed
 CAUTION!	Advice to user that potential damage to equipment may occur if the advice is not followed
NOTE:	General advice or best practice
	Reference To Additional Documentation

NOTE:

The wheelchairs shown and described in this user guide may not correspond in every detail exactly to your own model. However, all instructions are completely relevant, regardless of possible detail differences.

The manufacturer reserves the right to alter without notice any weights, measurements or other technical data shown in this manual. All figures, measurements and capacities shown in this manual are approximate, and do not constitute specifications.

NOTE:

Please keep a note of your local service agent's address and telephone number in the space provided. In the event of a breakdown, contact them and try to give all relevant details so they can help you quickly.

Dealer signature and stamp

Foreword

Dear Customer,

We are very happy that you have decided in favour of a high-quality product from SUNRISE MEDICAL.

This owner's manual will provide numerous tips and ideas so that your new wheelchair can become a trustworthy and reliable partner in your life.

For Sunrise Medical, it is very important that we have a good relationship with our customers. We like to keep you up-to-date about new and current developments at our company. Keeping close to our customers means: fast service, as little red tape as possible, working closely with customers. When you need replacement parts or accessories, or if you just have a question about your wheelchair – we are there for you.

We want you to be satisfied with our products and service. At Sunrise Medical we are constantly working to develop our products further. For this reason, changes can occur in our palette of products with regard to form, technology and equipment. Consequently, no claims can be construed from the data or pictures contained in this user's manual.

The management system of SUNRISE MEDICAL is certified to ISO 13485 and ISO 14001.

**UK
CA** As the manufacturer, SUNRISE MEDICAL, declares that this product conforms to the UK Medical Devices Regulation 2002 No. 618.

CE As the manufacturer, SUNRISE MEDICAL, declares that this product conforms to the Medical Device Regulation (2017/745).

NOTE:

General user advice.

Not following these instructions may result in physical injury, damage to the product or damage to the environment!

Notice to the user and/or patient: Any serious incident that has occurred in relation to the device should be reported to the manufacturer and the competent authority of the Member State in which the user and/or patient is established.

B4Me special adaptations

Sunrise Medical strongly recommends that in order to ensure that your B4Me product operates, and performs as intended by the manufacturer; all the user information supplied with your B4Me product is read and understood, before the product is first used.

Sunrise Medical also recommends that the user information is not discarded after reading it, but it is kept safely stored for future reference.

Medical Device Combinations

It may be possible to combine this Medical device with one or more other Medical Device or other product. Information on which combinations are possible can be found at www.Sunrisemedical.co.uk. All combinations listed have been validated to meet the General Safety and Performance Requirements, Annex I Nr. 14.1 of the Medical Device Regulation 2017/745.

Guidance on the combination, such as mounting, can be found at www.SunriseMedical.co.uk

Please contact your local, authorised SUNRISE MEDICAL dealer if you have any questions concerning the use, maintenance, or safety of your wheelchair.

In case there is no authorised dealer in your area, or you have any questions about product safety and product recalls, contact Sunrise Medical either in writing or by telephone or find the information on www.sunrisemedical.co.uk



IMPORTANT:

DO NOT USE YOUR WHEELCHAIR UNTIL THIS MANUAL HAS BEEN READ AND UNDERSTOOD. NOT FOLLOWING THESE INSTRUCTIONS MAY RESULT IN PHYSICAL INJURY, DAMAGE TO THE PRODUCT OR DAMAGE TO THE ENVIRONMENT!

Sunrise Medical
Thorns Road
Brierley Hill
West Midlands
DY5 2LD
England
Phone: 0845 605 66 88
Fax: 0845 605 66 89
www.SunriseMedical.co.uk

Use

Wheelchairs are exclusively for children and adults who are unable to walk or have limited mobility, for their own personal use, when self-propelling and being moved by a third party (pushed by attendant), within the home and outdoors.

The maximum weight limit (includes the user and any weight of accessories fitted to the wheelchair) is marked on the serial number label, which is affixed to the Axle Tube below the seat.

Warranty can only be taken on if the product is used under the specified conditions and for the intended purposes. The intended lifetime of this product is 5 years. Please DO NOT use or fit any 3rd party components to the wheelchair unless they are officially approved by Sunrise Medical.

Area of Application.

Indications

The varieties of fitting variants, as well as the modular design, mean that it can be used by those who cannot walk or have limited mobility because of:

- Paralysis
- Loss of extremity (leg amputation)
- Extremity defect deformity
- Joint contractures/joint injuries
- Illnesses such as heart and circulation deficiencies, disturbance of equilibrium or cachexia, Neurological disease patterns, Muscle dystrophy, Hemiplegia as well as for elderly people who still have strength in the upper body.

Contraindications

The wheelchair shall not be used without attendant in case of:

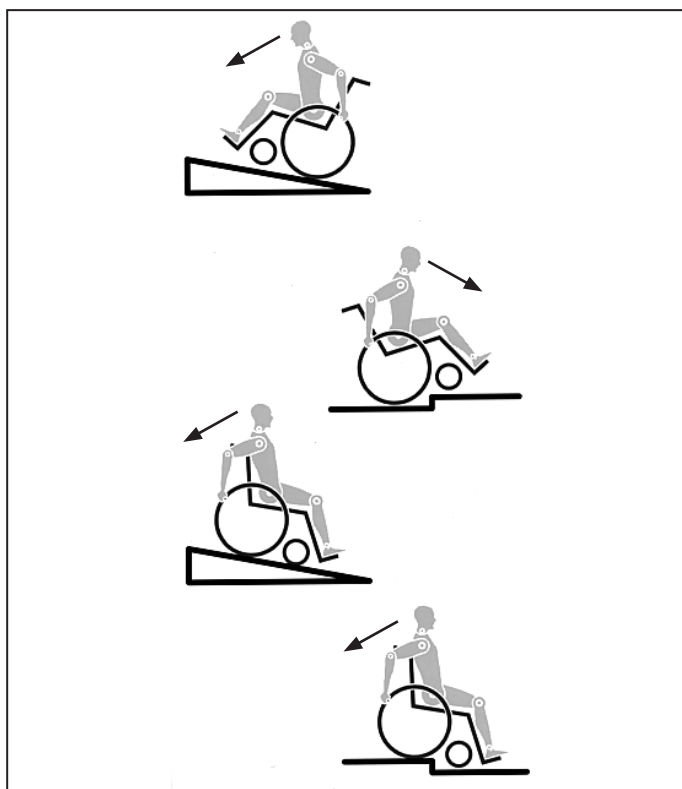
- Perception disorder
- Imbalance
- Loss of both arms, if not supported by a caregiver
- Joint contracture or joint damage on both arms
- Seating disability

NOTE:

Please note that driving a wheelchair requires sufficient cognitive, physical and visual skills. The user must be able to assess the effects of actions during the operation of the wheelchair and, if necessary, to correct them. These capabilities and the safe use of the additionally attached components cannot be assessed by Sunrise Medical as a manufacturer. We cannot accept any liability for any damage resulting from this.

Please refer to the operating instructions of the wheelchair and the additionally mounted components. Instruct the user in the safe use of the wheelchair and the additionally mounted components. Inform users of specific warnings that need to be read, understood, and respected.

General safety notes and driving limits



The engineering and construction of this wheelchair has been designed to provide maximum safety. International safety standards currently in force have either been fulfilled or exceeded in parts. Nevertheless, users may put themselves at risk by improperly using their wheelchairs. For your own safety, the following rules must be strictly observed.

Unprofessional or erroneous changes or adjustments increase the risk of accident. As a wheelchair user, you are also part of the daily traffic on streets and pavements, just like anyone else. We would like to remind you that you are therefore also subject to any and all traffic laws.

Be careful during your first ride in this wheelchair. Get to know your wheelchair.

Before each use, the following should be checked:

- Quick-release axles on the rear wheels
- Velcro on seats and backrests
- Tyres, tyre pressure and wheel locks.

Before changing any of the adjustments of this wheelchair, it is important to read the corresponding section of the user's manual.

It is possible that potholes or uneven ground could cause this wheelchair to tip over, especially when riding uphill or downhill. When riding forwards over a step or up an incline, the body should be leaning forward.

DANGER!

- NEVER exceed the maximum load of 125 kg, for driver plus any items carried on the wheelchair. Please note the weight information for lighter weight options, which are quoted separately. If you exceed the maximum load, this can lead to damage to the chair, or you may fall or tip over, lose control and may lead to serious injury of the user and other people.
- When it is dark, please wear light clothing or clothing with reflectors, so that you can be seen more easily. Make sure that the reflectors on the side and back of the wheelchair are clearly visible. We would also recommend that you fit an active light.
- To avoid falls and dangerous situations, you should first practice using your new wheelchair on level ground with good visibility.

- When getting on or off the wheelchair, do not use the footboards. These should be flipped up beforehand and swung to the outside as far as possible. Always position yourself as close as possible to the place where you wish to sit.
- Only use your wheelchair properly. For example, avoid travelling against an obstacle without braking (step, kerb edge) or dropping down gaps.
- The wheel locks are not intended to brake your wheelchair. They are only there to ensure that your wheelchair does not begin rolling unintentionally. When you stop on uneven ground, you should always use the wheel locks to prevent such rolling. Always apply both wheel locks; otherwise, your wheelchair could tip over.
- Explore the effects of changing the centre of gravity on the behaviour of the wheelchair, for example on inclines, slopes, all gradients or when overcoming obstacles. Do this with the secure aid of a helper.
- With extreme settings (e.g. rear wheels in the most forward position) and less than perfect posture, the wheelchair may tip over even on a level surface.
- Lean your upper body further forward when going up slopes and steps.
- Lean your upper body further back when going down slopes and steps. Never try to climb and descend a slope diagonally.
- Avoid using an escalator which may lead to serious injury in the event of a fall.
- Do not use the wheelchair on slopes $> 10^\circ$. The Dynamic safe slope is dependent on the chair configuration, the user's abilities and the style of riding. As the user's abilities and style of riding cannot be pre-determined then the max safe slope cannot be determined. Therefore this must be determined by the user with the assistance of an attendant to prevent tipping. It is strongly recommended that inexperienced users have anti-tip tubes fitted.
- It is possible that potholes or uneven ground could cause this wheelchair to tip over, especially when riding uphill or downhill.
- Do not use your wheelchair on muddy or icy ground. Do not use your wheelchair where pedestrians are not allowed.
- To avoid hand injuries do not grab in between the spokes or between the rear wheel and wheel lock when driving the wheelchair.
- In particular when using lightweight metal handrims, fingers will easily become hot when braking from a high speed or on long inclines.
- Riding sideways on to a slope or incline, increases the possibility of the wheelchair tipping over sideways.
- Only attempt stairs with the help of an attendant. There is equipment available to help you, e.g. climbing ramps or lifts, please use them. If there is no such equipment available, then the wheelchair must be tipped and pushed, never carried, over the steps (2 helpers). We recommend that users over 100 kg in weight do not use this stairway manoeuvre!
- In general, any anti-tip tubes fitted must be set beforehand, so that they cannot touch the steps, as otherwise this could lead to a serious tumble. Afterwards the anti-tip tubes must be set back to their correct position.
- Make sure that the attendant only holds the wheelchair using securely mounted parts (e.g. not on the footrests or the sideguards).
- This wheelchair is not designed to be used whilst weight training and/or when using dumbbells. Only use equipment specifically designed for this purpose.
- Do not lift or carry the wheelchair by the backtubes or the pushhandles.
- When using the lifting ramp make sure that the anti-tip tubes fitted are positioned outside the danger area.
- Secure your wheelchair on uneven ground or when transferring, e.g. into a car, by using the brakes.

- If and whenever possible, during a journey in a specially fitted vehicle for disabled people, vehicle occupants should use the seats in the vehicle and the appropriate restraint system. This is the only way to ensure that occupants will have the maximum protection if there is an accident. When using safety elements offered by SUNRISE MEDICAL and using a specially designed safety system, lightweight wheelchairs can be used as a seat when being transported in a specially fitted vehicle. (See the Chapter on "Transportation").
- Depending on the diameter and setting of the castors, as well as the centre of gravity setting of the wheelchair, the castors may begin to wobble at high speeds. This can lead to the castors being blocked and the wheelchair may tip over. Therefore, please make sure that the castors are adjusted correctly (see the Chapter "Castors"). In particular, do not travel on an incline without brakes, travel at a reduced speed. We recommend that novice users use anti-tip tubes.
- Anti-tip tubes should prevent the chair tipping over backwards unintentionally. Under no circumstances should they take the place of transit wheels, and be used to transport a person in a wheelchair with the rear wheels removed.
- When reaching for objects (which are in front of, to the side or behind the wheelchair) make sure that you do not lean too far out of the wheelchair, as if you change the centre of gravity there is a risk of tipping or rolling over. The hanging of additional load (back pack or similar items) onto your chair backposts can affect the rearward stability of your chair, especially when used in combination with recliner backrests. This can cause the chair to tip backwards causing injury.
- Adjustments to your wheelchair, particularly to safety-related components must be carried out by an approved dealer. This applies to adjustments to wheel locks, anti-tip tubes, backrest angle and height, lower leg length, COG, lap belt, rear wheel toe-in and camber, seat height as well as toe-in and directional stability of the castor fork.
- When using mobility accessories fitted to the wheelchair such as handbikes, electronic power assist, etc, make sure that your wheelchair is fitted with the appropriate castor forks, approved for this use. Please contact your dealer if you have any questions.
- Do not fit any unauthorized electronic equipment, powered or mechanically operated mobility drives, hand-bike or any other device that changes the intended use or the structure of the wheelchair.
- Any combination with other medical devices requires the approval of Sunrise Medical.
- Please note that in certain configurations the wheelchair may exceed a width of 700 mm. If this is the case, under certain circumstances, it may not be possible to use some or all of the available escape routes from a building. It may be more difficult or impossible to travel on public transport.
- Further information and safety instructions can be provided by your authorised dealer.
- For thigh amputees you must use anti-tip tubes.
- Before setting off, check that your tyre pressure is correct. For rear wheels it should be at least 3.5 bar (350 kPa). The max. pressure is indicated on the tyre. The knee-lever brakes will only work if there is sufficient tyre pressure and if the correct setting has been made (see the Chapter on "Brakes").
- If the seat and back sling are damaged, you must replace them immediately.
- Be careful with fire, in particular with burning cigarettes. Seat and back slings can be set alight.
- If the wheelchair is subject to direct sunlight for a long period of time, then parts of the wheelchair (e.g. frame, legrests, brakes and sideguard) may become hot (>41°C).
- Always make sure that the quick-release axles on the rear wheels are set properly and lock in. If the button on the quick-release axle is not pressed in, the rear wheel cannot be removed.

 **WARNING!**

- The effect of the knee-lever brake as well as the general driving characteristics are dependent on tyre pressure. The wheelchair is significantly lighter and easier to manoeuvre when the rear wheels are pumped up correctly and both wheels have the same pressure.
- Make sure that your tyres have sufficient tread! Please note that you are subject to any and all traffic laws when driving in public traffic.
- Always be careful with your fingers when working or adjusting the wheelchair!

 **WARNING!**

CHOKING HAZARD – This mobility aid uses small parts which under certain circumstances may present a choking hazard to small children.

The wheelchairs shown and described in this user guide may not correspond in every detail exactly to your own model. However, all instructions are completely relevant, regardless of possible detail differences.

The manufacturer reserves the right to alter without notice any weights, measurements or other technical data shown in this manual. All figures, measurements and capacities shown in this manual are approximate and do not constitute specifications.

Warranty

THIS GUARANTEE DOES NOT AFFECT YOUR LEGAL RIGHTS IN ANY WAY.

Sunrise Medical* provides a guarantee, as set out in the warranty conditions, for wheelchairs to its customers covering the following.

Warranty conditions:

1. Should a part or parts of the wheelchair require repair or replacement as a result of a manufacturing and/or material fault within 24 months or for frame and cross-braces within 5 years after delivery to the customer, then the affected part or parts will be repaired or replaced free of charge. The warranty will only cover manufacturing defects
2. To enforce the warranty, please contact Sunrise Medical Customer Service with the exact details of the nature of the difficulty. Should you be using the wheelchair outside the area covered by the Sunrise Medical customer service agent, repairs or replacement will be carried out by another agency as designated by the manufacturer. The wheelchair must be repaired by a Sunrise Medical designated Customer Service agent, (dealer).
3. For parts, which have been repaired or exchanged within the scope of this warranty, we provide a warranty in accordance with these warranty conditions for the remaining warranty period for the wheelchair in accordance with point 1).
4. For original spare parts which have been fitted at the customer's expense, these will have a 12 months guarantee, (following the fitting), in accordance with these warranty conditions.
5. Claims from this warranty shall not arise, if a repair or replacement of a wheelchair or a part is required for the following reasons:
 - a. Normal wear and tear, which include batteries, armrest pads, upholstery, tyres, brakes shoes, etc.
 - b. Any overloading of the product, please check the EC label for maximum user weight.
 - c. The product or part has not been maintained or serviced in accordance with the manufacturer's recommendations as shown in the user instructions and/or the service instructions.
 - d. Accessories have been used which are not specified as original accessories.
 - e. The wheelchair or part having been damaged by neglect, accident or improper use.
 - f. Changes/modifications have been made to the wheelchair or parts, which deviate from the manufacturer's specifications.
 - g. Repairs have been carried out, before our Customer Service has been informed of the circumstances.
6. This guarantee is subject to the law of the country in which the product was purchased from Sunrise Medical*

* Means the Sunrise Medical facility from which the product was purchased.

Additional Notes For Australia Only:

- i. For goods provided by Sunrise medical Pty Ltd in Australia, our goods come with a guarantee by Sunrise Medical that cannot be excluded under Australian Consumer Law.
- ii. You are entitled to a replacement or refund for a major failure and for compensation for any foreseeable loss or damage.
- iii. You are also entitled to have the goods repaired or replaced if the goods fail to be of acceptable quality and the failure does not amount to a major failure.
- iv. The benefits to you given by this warranty are in addition to your other rights and remedies under a law in relation to the goods to which the warranty relates.

Technical Data

MAXIMUM LOAD: 125 KG

ALSO SEE PAGE 5

In accordance with EN12183: 2009 all these listed parts (seat - back upholstery, arm pad, side panel.) are fire resistant as per EN1021-2.

The Dynamic safe slope is dependant on the chair configuration, the users abilities and the style of riding. As the users abilities and style of riding cannot be predetermined then the max safe slope cannot be determined. Therefore this must be determined by the user with the assistance of an attendant to prevent tipping. It is strongly recommended that inexperienced users have Ant-tips fitted.

The wheelchair conforms to the following standards:

- a) Requirements and test methods for static, impact and fatigue strengths (ISO 7176-8)
- b) Requirements for resistance to ignition in accordance with ISO 7176-16 (EN 1021-1)

Transportability

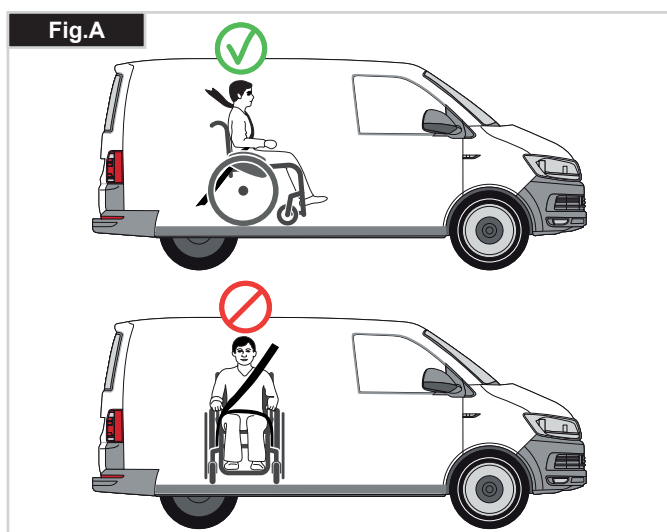
DANGER!

There is a risk of serious injury or death if this advice is ignored!

Transportation of your wheelchair within a vehicle:

A wheelchair secured in a vehicle will not provide the equivalent level of safety and security as a vehicle seating system. It is always recommended that the user transfers to the vehicle seating. It is recognised that this is not always practical for the user to be transferred and in these circumstances, where the user must be transported whilst in the wheelchair, the following advice must be followed:

1. Confirm that the vehicle is suitably equipped to transport a passenger in a wheelchair, and ensure the method of access/egress is suitable for your wheelchair type. The vehicle should have the floor strength to take the combined weight of the user, the wheelchair and accessories.
2. Sufficient space should be available around the wheelchair to enable clear access to attach, tighten and release the wheelchair and occupant tie down restraints and safety belts.
3. The occupied wheelchair must be located in a forward facing position and secured by the wheelchair tie down and occupant restraint straps (WTORS tie downs meeting the requirements of ISO 10542 or SAE J2249) in accordance with the WTORS manufacturer's instructions.
4. The wheelchair's use in other positions within a vehicle has not been tested e.g. transportation in a side facing position must not be carried out under any circumstances (Fig. A).
5. The wheelchair should be secured by a Tie Down Restraint system, conforming to ISO 10542 or SAE J2249 with non-adjustable front straps and adjustable rear straps, which typically use Karabiner clips/S hooks and tongue and buckle fittings. These restraints generally comprise of 4 individual straps that are attached to each corner of the wheelchair.
6. The tie-down restraints should be fitted to the main frame of the wheelchair as indicated in the diagram on the following page, and not to any attachments or accessories, e.g. not around the spokes of wheels, brakes or footrests.
7. The tie-down restraints should be attached as close as possible at an angle of 45 degrees and tightened securely in accordance with the manufacturer's instructions.
8. Alterations or substitutions must not be made to the wheelchair securement points or to structural and frame or components without consulting the manufacturer. Failure to do so will invalidate the ability of a Sunrise Medical wheelchair to be transported within a vehicle.
9. Both pelvic and upper torso restraint belts must be used to restrain the occupant to reduce the possibility of head and chest impacts with the vehicle components and serious risk of injury to the user and other vehicle occupants. (Fig B) The upper torso restraint belt should be mounted to the vehicle "B" pillar - failure to do so will increase the risk of serious abdominal injuries to the user.
10. A head restraint suitable for transportation (see label on headrest) must be fitted and suitably positioned at all times during transportation.
11. Postural supports (lap straps, lap belts) should not be used or relied on for occupant restraint in a moving vehicle unless they are labelled as meeting the requirements specified in ISO 7176-19 or SAE J2249.
12. The safety of the user during transportation depends upon the diligence of the person securing the tie-down restraints and they should have received appropriate instructions and/or training in their use.
13. Wherever possible remove and stow safely away from the wheelchair all auxiliary equipment, for example: Crutches, Loose cushions and Tray Tables.
14. Articulating/elevating leg rest should not be used in the elevated position when the wheelchair and user are being transported and the wheelchair is restrained using Wheelchair Transport and Occupant Restraints.
15. Reclining backrests should be returned to an upright position.
16. The manual brakes must be firmly applied.
17. Restraints should be mounted to the vehicle "B" pillar and should not be held away from the body by wheelchair components such as armrest or wheels.



Transportability >>>

OCCUPANT RESTRAINTS INSTRUCTION:

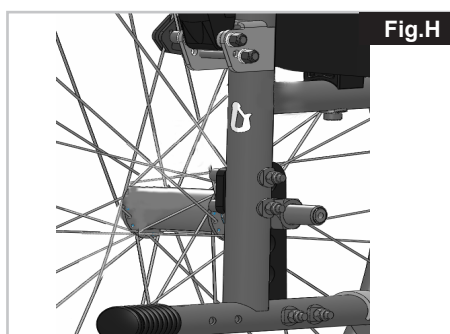
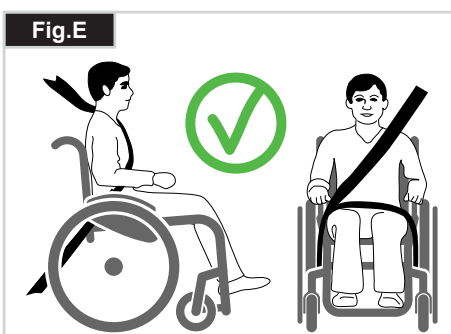
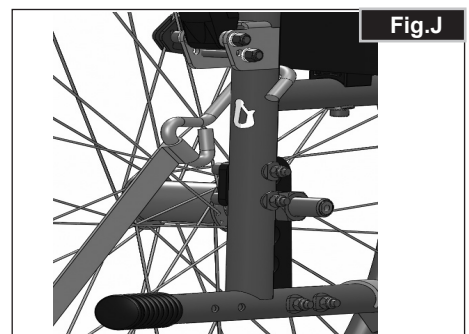
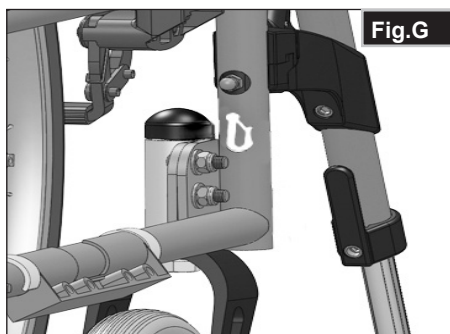
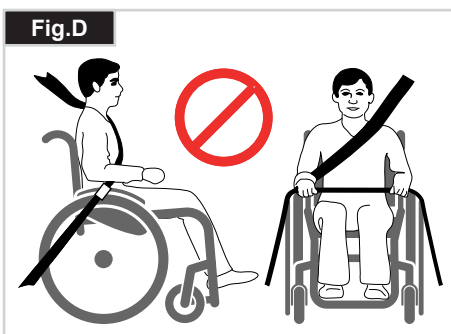
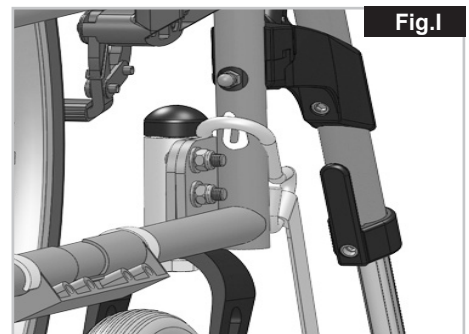
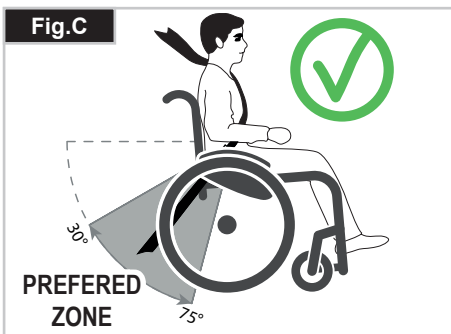
1. The pelvic restraint belt must be worn low across the front of the pelvis so that the angle of the pelvic belt is within the preferred zone of 30 to 75 degrees to the horizontal. A steeper (greater) angle within the preferred zone is desirable i.e. closer to, but never exceeding 75degrees. (Fig C)
2. The upper torso restraint belt must fit over the shoulder and across the chest as illustrated Fig d and e
 Restraint belts must be adjusted as tightly as possible consistent with user comfort.
 Restraint belt webbing must not be twisted when in use.
 The upper torso restraint belt must fit over the shoulder and across the shoulder as illustrated in Fig D and E.
3. The attachment points to the chair are the inner front side frame just above the castor, and the rear side frame. The straps are fitted around the side frames at the intersection of the horizontal and vertical frame tubes. (See Figs G - K)
4. The tie down symbol (Fig F) on the wheelchair frame indicates the position of the wheelchair restraint straps. The straps are then tensioned after the front straps have been fitted to secure the wheelchair.

Minimum User Weight

When the user being transported is a child, less than 22Kg mass and the vehicle involved has less than eight (8) seated passengers it is recommended that they be transferred to an UNCE Regulation 44 compliant child restraint system (CRS). This type of restraint system provides a more effective occupant restraint system than the conventional 3 point occupant restraint system and some CRS systems also include additional postural supports to assist in maintaining the position of the child when seated.
 Parents or care providers may consider the option, in some circumstances, for their child is to remain in their wheelchair whilst in transport due to the level of posture control and comfort provided by the set up in the wheelchair.
 We would recommend in such circumstances that a risk assessment be carried out by your healthcare professional and relevant competent persons.

Positioning of wheelchair tie down restraints on wheelchair:

1. Location of the front and rear tie down labels (Fig.G - H).
2. Position of the front, (Fig.I) and rear, (Fig.J), wheelchair tie down restraint and the tie down label.
3. Side view of tie down straps, (Fig.K).



Handling

FOLDING UP

First remove the seat cushion from the wheelchair and flip up the (platform) footplate or the individual footrests. Take hold of the sling or the seat tubes in the middle, from the back and pull upwards. The wheelchair will then fold up. To fold your wheelchair so that it is as small as possible, e.g., to put into a car, you can remove the footrests (depending on the model). For this purpose, open the latch from the outside and swing the footrest to the side. Then the footrest only has to be drawn out of the receiver tube (Fig. 1).



UNFOLDING

Press down on the seat tube (see figure). Your wheelchair is then unfolded. Now snap the seat tubing into position in the seat saddle. This can be facilitated by slightly tipping your wheelchair, as this means that the weight is taken off one of the rear wheels. Be careful not to get your fingers caught in the cross-tube assembly. Refit the seat cushion! (Fig. 2).

Transporting the Wheelchair

When transporting the unoccupied wheelchair in a vehicle, it should be tied down or strapped in.

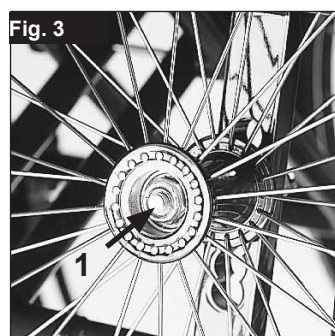
Quick-Release Axles for Rear Wheels (Fig. 3)

Removing the rear wheels will keep the wheelchair as compact as possible.

The rear wheels are equipped with quick-release axles. The wheels can thus be installed or removed without using tools. To remove a wheel, simply depress the quick-release button on the axle (1) and pull it out.

CAUTION!

Hold the quick-release button on the axle depressed when inserting the axle into the frame to mount the rear wheels. Release the button to lock the wheel in place. The quick-release button should snap back to its original position.



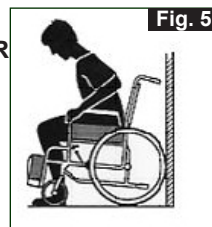
GETTING INTO YOUR WHEELCHAIR INDEPENDENTLY (Fig. 4)

- The wheelchair should be pushed up against a wall or solid piece of furniture;
- The brakes should be on;
- The footplates should be hinged up;
- The user can then lower himself into the chair;
- The footplates should then be pushed down and the feet rested on them in front of the heel loops.



GETTING OUT OF YOUR WHEELCHAIR INDEPENDENTLY (Fig. 5)

- The brakes should be on;
- The hinged footplates should be hinged up;
- With one hand on each armrest, the person should bend slightly forward to bring the body weight to the front of the seat, and with both feet firmly on the ground, one foot well back, push up into the upright position.



WARNING!

When standing, do not stand on the footplates or the wheelchair will tip up. It is easier and safer to get into your wheel chair if you turn the footplates up and out of the way or take them off the wheelchair.

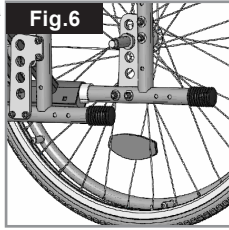
Options - Step Tubes

STEP TUBES (Fig.6)

Step tubes are used by attendants to tip a wheelchair over an obstacle. Simply step on the tube to push a wheelchair, for example, over a kerb or step.

CAUTION!

Sunrise Medical strongly recommends the use of a step tube on any model where attendant use is the predominant intended use. Damage to the backposts may occur if you constantly use the backpost without a step tube, as a lever to pull back on to tip the wheelchair, in order to overcome obstacles.



Options - Brakes

WHEEL LOCKS

Your wheelchair is equipped with two wheel locks. They are applied directly against the tyres. To engage, press both brake levers forward against the stops. To release the locks, pull the levers back to their original positions.

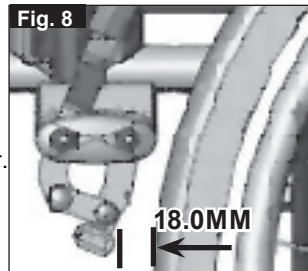
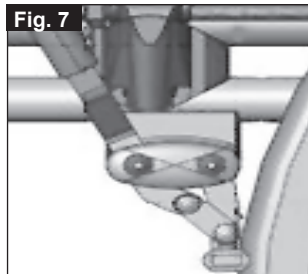
Braking power will decrease with:

- Worn tyre tread
- Tyre pressure that is too low
- Wet tyres
- Improperly adjusted wheel locks

The wheel locks have not been designed to be used as brakes for a moving wheelchair. The wheel locks should therefore never be used to brake a moving wheelchair. Always use the hand-rims for braking. Make sure that the gap between the tyres and wheel locks complies with given specifications. To readjust, loosen the screw and set the appropriate gap. Then re-tighten the screw (Fig. 7 + 8).

CAUTION!

After each adjustment of the rear wheels, check the wheel lock gap and re-adjust if necessary.



BRAKE LEVER EXTENSION

The extension for the brake lever can be removed or folded down. The longer lever helps to minimise the effort needed to set the wheel locks (Fig.9).

CAUTION!

Mounting the wheel lock too close towards the wheel will result in a higher effort to operate. This might cause the brake lever extension to break!

CAUTION!

Leaning onto the brake lever extension while transferring will cause the lever to break! Splashing water from tyres might cause the wheel lock to malfunction..

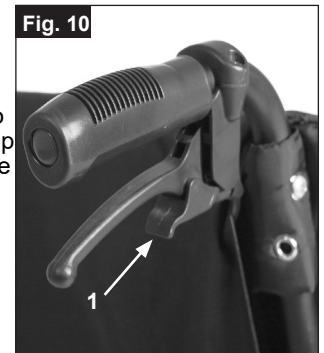


Drum Brakes

Drum brakes permit safe and convenient braking for an attendant. They can also be set with the aid of a locking lever (1) to prevent rolling. The lever must snap audibly into place. Drum brakes are not influenced by air pressure inside the tyres, (Fig.10).

WARNING!

- Drum brakes must only be adjusted by authorised dealers.
- Always operate the two brakes simultaneously to guarantee the control of the driving direction!
- Drum brakes can only be used as a dynamic brake to stop the wheelchair while driving.
- Always engage the wheel locks to secure the wheelchair during a short or long stop, or for transfer.



Options - Footplates

FOOTPLATES:

The footplates can be flipped up to make it easier to transfer to/from the chair.

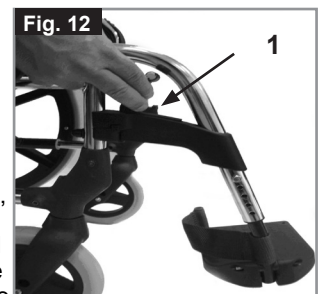
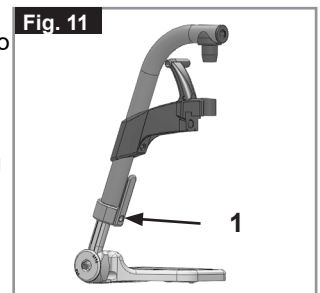
LOWER LEG LENGTH:

For users with longer legs, the leg support can be lowered to the appropriate level by using the screws (1). Loosen the screws, push the tubes to the desired position and then re-tighten the screws (see section on torque).

There must always be a minimum gap of 25mm between the footplates and the ground, (Fig.11).

FOOTRESTS AND LATCH

The legrests can be swung inwards under the seat sling or outwards. When fitting the legrests, the footrests must be pointing inwards or outwards. Then rotate the legrest inwards, until it locks into place. To remove, pull the lever (1), swing the footplate inwards or outwards and then lift the legrest out. Make sure that the legrest is locked into place correctly, (Fig 12).



⚠ CAUTION!

- The legrests must not be used to lift or to carry the wheelchair.
- When getting on or off the wheelchair, do not use the footboards. These should be flipped up beforehand or the footrest should be swung to the outside as far as possible.

OPTION ELEVATING LEGREST

(Fig 13-15)

To remove, pull the lever (1), swing the footplate outwards and then lift the legrest out.

HEIGHT ADJUSTMENT:

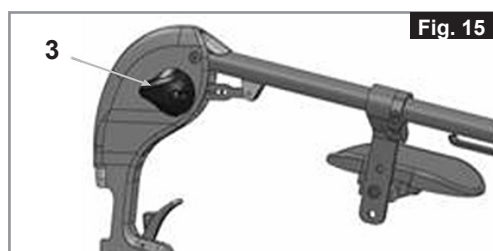
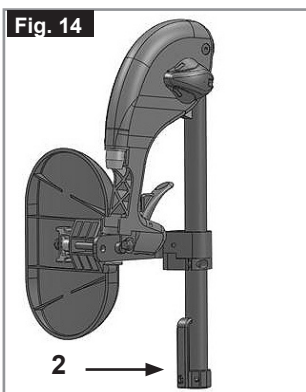
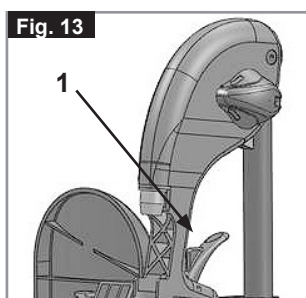
The lower leg length can be adjusted infinitely by releasing the screw (2). Adjust the suitable height and tighten the screw again.

⚠ CAUTION!

The distance between the footplate and the ground must be at least 40 mm.

ANGLE ADJUSTMENT:

Press the lever (3) downward with one hand while supporting the legrest with the other hand to take the load off. When a suitable angle is achieved, let go of the lever and the legrest will lock into one of the preset positions.



ADJUSTING THE CALF PAD

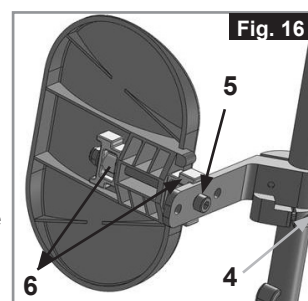
(Fig 16).

The calf pad can be adjusted as follows:

Height: Open bolt (4) and move the clamping piece to the desired position. By rotating the clamping piece also the angle can be adjusted.

Depth: Open bolt (5) and move the calf pad into the desired position.

Width: Open bolt (5) and position the spacers (6) behind the pad, to get the desired position.



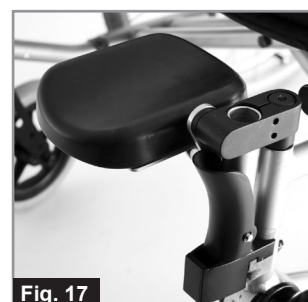
⚠ WARNING!

- Keep hands clear of the adjustable mechanism between the frame and the movable parts of the foot rest, while elevating or lowering the footrest.
- Always make sure that the fasteners are secure.
- The foot rests must not be used to lift or to carry the wheelchair.
- Risk of trapping fingers! When moving the foot rest up or down, do not put your fingers in the adjusting mechanism between the moving parts of the foot rest.

AMPUTEE SUPPORT

(Fig.17).

The Amputee Support can be adjusted in every direction as required.



Options - Castors

CASTORS, CASTOR PLATES, FORKS

The wheelchair may veer slightly to the right or left, or the castors may wobble. This may be caused by the following:

- Forward and/or reverse wheel motion has not been set properly.
- The castor angle has not been set correctly.
- Castor and/or rear wheel air pressure is incorrect; the wheels do not turn smoothly.

The wheelchair will not move in a straight line if the castors have not been properly adjusted. Castors should always be adjusted by an authorised dealer. The wheel locks must be checked every time the rear wheel position has been altered. The seat height is determined by the castor and rear wheel position. The seat height can be adjusted by altering the position of the rear wheels and the castors

⚠ CAUTION!

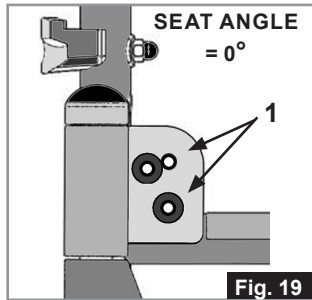
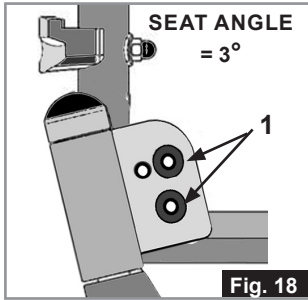
After adjusting the seat height, all screws must be re-tightened and the wheel lock must be readjusted. The castors must be set at 90°

ADJUSTING THE CASTOR AXLE ANGLE

(Fig.18-19).
Release the screws (1), set the castor angle to 90°. Retighten the screws.

CAUTION!

The castor angle must be set the same on both sides.



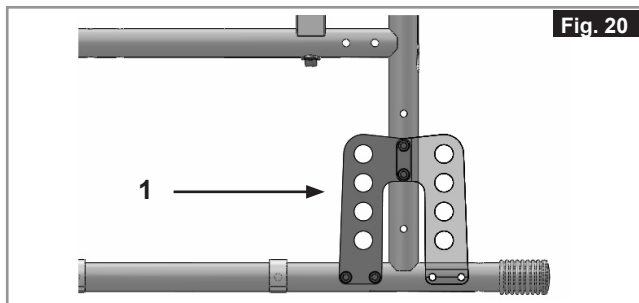
POSITION OF AXLE ADAPTOR

The axle adaptor can be fitted in front of the back tube for better drive characteristics, or behind it for greater security against tipping over, (Fig.20).
A larger wheel base gives greater security against tipping over.

To increase the size of the wheel base turn the axle adaptor, (1), to the rear of the wheelchair.

CAUTION!

The wheel locks must be adjusted to match the new position.



Options - Side Guard

STANDARD SIDE GUARDS, FLIP-UP, WITH SHORT OR LONG ARMRESTS

The side guard with rounded off front edges will allow you to get up close to a table.

To flip the armrest up, push the lever (1), so that the side guard is released (Fig. 21).

The length of the armrest can be adjusted by releasing the screws (2), then move the armrest to the desired position and re-tighten the screws (Fig. 22).



WARNING!

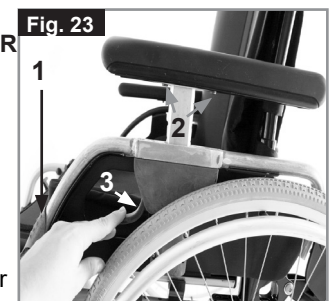
Neither the side guards nor the armrests are to be used for lifting or carrying the wheelchair.

SIDEGUARD, FLIP-UP, REMOVABLE WITH SHORT OR LONG ARMRESTS, HEIGHT-ADJUSTABLE

The armrest can be height-adjusted as follows.
Push the lever downwards and move the armrest to the desired height (3).
Release the lever and press the armrest downwards until you hear it click into place. Always check that the sideguards are correctly in place.

To flip the armrest up, push the lever (1) so that the sideguard is released.

You can adjust the length of the armrest by releasing the screws (2) push the armrest to the desired position and then re-tighten the screws (Fig. 23).



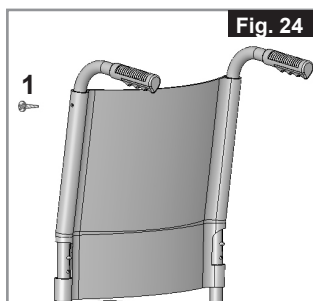
WARNING!

Neither the sideguards nor the armrests are to be used for lifting or carrying the wheelchair.

Options - Back Rest

HEIGHT-ADJUSTABLE BACKREST

The height of the backrest can be set to 2 different positions (410mm and 435mm). Release and remove the bolts (1), and push the backrest sling to the desired position. Tighten up the bolts again (Fig. 24).



Options - Anti Tip Tubes

ANTI-TIP TUBES

Anti-tip tubes provide additional safety for inexperienced users when they are still learning how to operate their wheelchair. They prevent a wheelchair from tipping over backwards.

By pushing on the release button (1), the safety wheels can be set upwards or removed. There must always be a gap of between 30mm and 50mm between the tube and the ground.

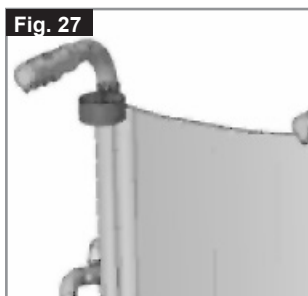
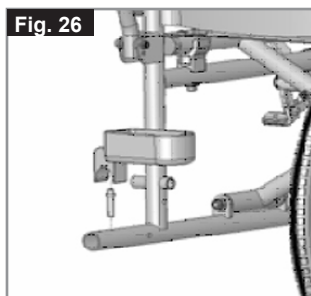
You must swing the safety wheels upwards when going up and down large obstacles (such as a kerb) to prevent them from touching the ground. Then rotate the safety wheels back down to the normal position (Fig. 25).



⚠ WARNING!

Incorrect setup of the anti-tips will increase the risk of a rearwards tip.

Options - Crutch Holder



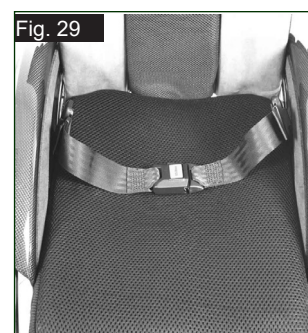
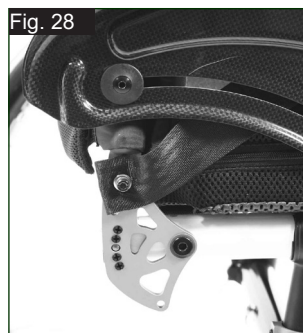
Pelvic Restraint Belt

⚠ DANGER!

- Before using your wheelchair ensure the lap belt is worn.
- The lap belt must be checked on a daily
- basis to ensure it is free from any obstruction or adverse wear.
- Always make sure that the lap strap is correctly secured and adjusted prior to use. If the strap is too loose it could cause the user to slip down and risk suffocation or cause serious injury.

The lap belt is fitted to the wheelchair as shown in the illustrations. The seat belt comprises 2 halves. They are fitted using the existing seat stay retaining bolt fitted through the eyelet on the belt. The belt is routed under the rear of the side panel. (Fig. 28)

Adjust the belt position so buckles are in the centre of the seat. (Fig. 29)



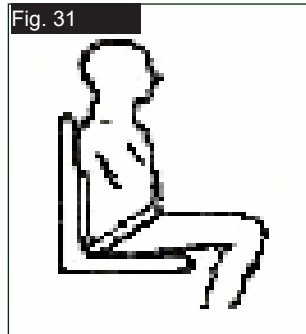
Adjust lap belt to suit the user's needs as follows:

To reduce the belt length	To increase the belt length
<p>Feed free belt back through male buckle and slide adjusters. Ensure belt is not looped at male buckle.</p>	<p>Feed free belt through slide adjusters and male buckle to provide more belt length.</p>

When fastened check space between the pelvic restraint belt and user. When correctly adjusted it should not be possible to insert more than the flat of the hand between the lap belt and the user. (Fig. 30)

Pelvic Restraint Belt...

The lap belt should be fixed so that the belt sits at an angle of 45 degrees across the user's pelvis. The user should be upright and be as far back as possible in the seat when correctly adjusted. The lap belt should not allow the user to slip down in the seat. (Fig. 31)



To fasten buckle:
Firmly push male buckle into female buckle.

To release belt:
Press exposed sides of male buckle and push towards centre whilst gently pulling apart.

⚠ WARNING!

- If in doubt about the use and operation of the lap belt then ask your healthcare professional, wheelchair dealer, carer or attendant for assistance.
- If you want to retrofit a lap belt, then please contact your authorised Sunrise Medical dealer.
- The lap belt must be checked on a daily basis to ensure it is adjusted correctly and free from any obstruction or adverse wear.
- Sunrise Medical does not encourage the transportation of any person in a vehicle using this lap belt as a method of restraint.

i Please see Sunrise Medical transit booklet for further advice on transportation.

Maintenance:

Check lap belt and securing components at regular intervals for any sign of fraying or damage. Replace if necessary.

⚠ WARNING

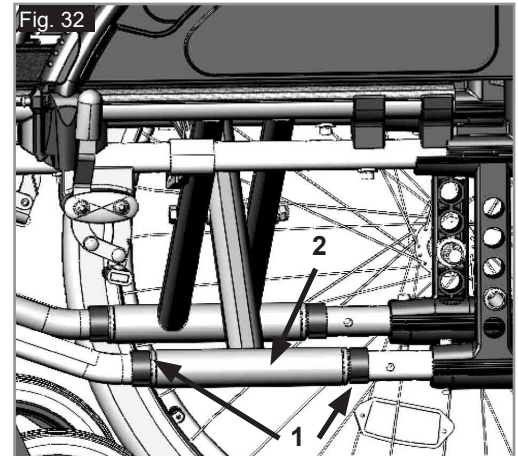
The lap belt should be adjusted to suit the end user as detailed above. Sunrise Medical recommends that the length and fit of the belt be checked on a regular basis to reduce the risk of the end user inadvertently re-adjusting the belt to an excessive length.

Options – Seat depth

SEAT DEPTH

By removing the clips (1), the cross-brace unit (2) can be pushed along the frame, which then alters the seat depth (depending on the position of the back tubes).

Make sure that the clips (1) snap into the frame holes provided. (Fig. 32).



Options - Therapy Table

THERAPY TABLE

The tray provides a flat surface for most activities. Before using a tray, it first has to be adjusted to the width of the seat by an authorised dealer. The user must be sitting in the wheelchair during this adjustment (Fig. 33).



Name Plate

Name Plate

The nameplate is located on either the cross-tube assembly or the transverse frame tube, as well as on a label in the owner's manual. The nameplate indicates the exact model designation and other technical specifications. Please provide the following pieces of information whenever you have to order replacement parts or to file a claim:

- Serial number
- Order number
- Month/Year



	Sunrise Medical GmbH Kahlbachring 2-4 D-69254 Malsch / Germany	2021-04-09
TYPE:	Rollstuhl	SN 203211733451939
Parix2	ISO 7176-19:2008	
XXX kg	max X°	XXX mm
XXX mm		

UK	RP	Sunrise Medical Limited Thorns Road, Brierley Hill West Midlands, DY5 2LD UNITED KINGDOM
-----------	-----------	---

TYPE:	Product Name/SKU Number.
max X°	Maximum safe slope with anti-tip tubes fitted, Depends on wheelchair setting, posture and physical capabilities of the user.
XXX mm	Seat width.
XXX mm	Seat depth.
XXX kg	Load Maximum.
	UKCA Mark.
	CE Mark.
	Consult instructions for use.
XXXX-XX-XX	Date of manufacture.
	Serial number.
	This symbol means Medical Device.
	Manufacturer's address.
ISO 7176-19:2008	Crash tested according to ISO 7176-19:2008.
	Importer's address
UK RP	UK Responsible Person
CH REP	Swiss Representative's address

Daily Checks

CAUTION!

As the user, you are the first person to notice any possible defects. We therefore recommend that before each use, you check the items in the following list:

- Check for correct tyre pressures
 - Check that the brakes work correctly
 - Check that all removable parts are secure, e.g. armrest, footrest, quick-release axle etc.
 - Check for visible damage e.g. on the frame, backrest, seat sling and back sling, wheels, footplate etc
- If there is any damage or malfunction, please contact your authorised dealer.

TYRES AND MOUNTING

Solid tyres are fitted as standard from the factory.

If pneumatic tyres are used, make sure that you maintain the correct tyre pressure, as this can have an effect on wheelchair performance. If the tyre pressure is too low, rolling resistance will increase, requiring more effort to move the chair forward. Low tyre pressure also has a negative impact on manoeuvrability. If the tyre pressure is too high, the tyre could burst. The correct pressure for a given tyre is printed on the surface of the tyre itself.

Tyres can be mounted the same way as an ordinary bicycle tyre. Before installing a new inner tube, you should always make sure that the base of the rim and the interior of the tyre are free of foreign objects. Check the pressure after mounting or repairing a tyre. It is critical to your safety and to the wheelchair's performance that regulation air pressure be maintained and that tyres be in good condition.



ISO 7010-M002
Instruction manual/booklet must be read! (Blue Icon)

Maintenance and care

- Check the tyre pressure every 4 weeks. Check all tyres for wear and damage.
- Check the brakes approximately every 4 weeks to make sure that they are working properly and are easy to use.
- Change tyres as you would an ordinary bicycle tyre.
- All of the joints that are critical to using your wheelchair safely are self-locking nuts. Please check every three months to make sure that all bolts are secure (see the section on torque). Safety nuts should only be used once and should be replaced after use.
- Please use only mild household cleansers when your wheelchair is dirty. Use only soap and water when cleaning the seat upholstery.
- You should only use genuine parts approved by Sunrise Medical. Do not use parts from other manufacturers, that have not been by authorised by Sunrise Medical.
- If your wheelchair should ever get wet, please dry it afterwards.
- A small amount of sewing-machine oil should be applied to quick-release axles approximately every 8 weeks. Depending on the frequency and type of use, we recommend taking your wheelchair to your authorised dealer every 12 months to have it inspected by trained personnel.
- If you want to store the wheelchair for a long period of time, then no further measures are required. Make sure that the wheelchair is stored at room temperature in a dry place which is protected from strong sunlight. Before using it again, the wheelchair should be checked by an authorised dealer.

CAUTION!

Sand and sea water (or salt in the winter) can damage the bearings of the front and rear wheels. Clean the wheelchair thoroughly after exposure.

The following parts can be removed and sent back to the manufacturer/dealer for repair:

- Rear wheels
- Armrest
- Anti-Tip tubes

These components are available as spare parts. For further information, please see the spare parts catalogue.

Hygiene measures when being re-used:

Prior to the wheelchair being re-used, it must be carefully prepared. All surfaces which come into contact with the user must be treated with a disinfection spray.

To do this, you must use a disinfectant as authorised/recommended in your country, for rapid alcohol-based disinfection for medical products and medical devices, which must be disinfected quickly.

Please be aware of the manufacturer's instructions for the disinfectant you are using.

In general, a complete disinfection cannot be guaranteed on seams. We therefore recommend that you dispose of seat and back slings to avoid micro-bacterial contamination with active agents according to your local infection protection law.

Trouble Shooting

WHEELCHAIR PULLS TO ONE SIDE

- Check tyre pressure (pneumatic tyres only).
- Check to make sure wheel turns easily (bearings, axle).
- Check the castor angles are set consistently and make proper contact with the ground.
- Ensure castor fork bearings rotate freely.

CASTORS BEGIN TO WOBBLE

- Check the castor angle.
- Check to make sure all bolts are secure; tighten if necessary (see the section on torque).
- Check to make sure both castors are making proper contact with the ground.

WHEELCHAIR SQUEAKS AND RATTLES

- Check to make sure all bolts are secure; tighten if necessary (see the section on torque).
- Apply small amount of lubrication to spots where movable parts come in contact with one another.

WHEELCHAIR BEGINS TO WOBBLE

- Check angle at which castors are set.
- Check all tyres for damage or wear.
- Check to see if rear wheels are adjusted or fixed unevenly.

Disposal / Recycling of Materials

NOTE: If the wheelchair has been supplied to you free of charge it may not belong to you. If it is no longer required follow any instructions given by the organisation issuing the wheelchair in order that it may be returned to them.

The following information describes the materials used in the wheelchair in relation to the disposal or re-cycling of the wheelchair and its packaging. Specific waste disposal or recycling regulations may be in force locally and these should be taken into consideration when disposal arrangements are made. (This may include the cleaning or decontamination of the wheelchair before disposal).

Steel: Fasteners, QR axle, side frames, armrests, frame, leg rests, push handles.

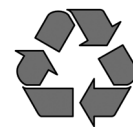
Plastic: Hand grips, castor forks, tube plugs, castor wheels, footplates, arm pads and 12" wheel/tyre, wheels, side guards.

Aluminium: Cross brace, foot rest, side guards and castor forks.

Packaging: Low density polythene bag, cardboard box.

Upholstery: Woven polyester with PVC coatings and expanded combustion modified foam.

Disposal or recycling should be done through a licensed agent or authorised place of disposal. Alternatively your wheelchair may be returned to your dealer for disposal.







Inhaltsverzeichnis

Rollstuhlkomponenten	2
Definitionen	21
Vorwort	22
Verwendung	22
Verwendungszweck.	22
Allgemeine Sicherheitshinweise und Fahreinschränkungen	23
Garantie	25
Technische Daten	25
Transport	26
Handhabung	28
Transportieren des Rollstuhls	28
Optionen - Ankippbügel	29
Optionen - Bremsen	29
Optionen - Fußplatten	29
Optionen - Lenkräder	30
Optionen - Seitenteil	31
Optionen - Rücken	32
Optionen - Sicherheitsräder	32
Optionen - Stockhalter	32
Beckengurt	32
Optionen - Sitztiefe	33
Optionen - Therapietisch	33
Typenschild	34
Tägliche Überprüfungen	34
Wartung und Pflege	35
Fehlersuche	35
Entsorgung / Recycling von Materialien	35

Definitionen

3.1 In dieser Anweisung verwendete Begriffsdefinitionen

Wort	Definition
 GEFAHR!	Anweisung an den Benutzer, dass ein potentielles Verletzungsrisiko besteht, wenn der Anweisung nicht entsprochen wird
 WARNUNG!	Anweisung an den Benutzer, dass ein Verletzungsrisiko besteht, wenn der Anweisung nicht entsprochen wird.
 VORSICHT!	Hinweis an den Benutzer, dass ein möglicher Sachschaden am Rollstuhl auftreten kann, wenn der Anweisung nicht entsprochen wird
HINWEIS:	Allgemeine Empfehlung oder optimales Verfahren
	Bezugnahme auf weitere Dokumente

HINWEIS:

Die Rollstühle, die in diesem Handbuch abgebildet und beschrieben sind, entsprechen möglicherweise nicht in allen Einzelheiten genau Ihrem eigenen Modell. Dennoch sind alle Anweisungen trotz möglicher Detailunterschiede völlig relevant. Der Hersteller behält sich das Recht vor, Gewichte, Abmessungen oder andere in diesem Handbuch aufgeführte technische Daten ohne vorherige Benachrichtigung zu ändern. Alle in diesem Handbuch aufgeführten Zahlenangaben, Abmessungen und Kapazitäten sind ungefähr und stellen keine präzisen technischen Daten dar.

HINWEIS:

Bitte notieren Sie die Adresse und Telefonnummer Ihrer zuständigen Servicestelle in dem unten vorgesehenen Feld. Benachrichtigen Sie ihn im Fall einer Panne, und versuchen Sie, alle relevanten Einzelheiten anzugeben, damit Ihnen rasch geholfen werden kann.

Unterschrift und Stempel des Fachhändlers

Vorwort

Sehr geehrte Kunden,

Wir freuen uns sehr, dass Sie ein Spitzenqualitätsprodukt von SUNRISE MEDICAL gewählt haben.

Dieses Handbuch vermittelt Ihnen zahlreiche Tipps und Ideen, damit Ihr neuer Rollstuhl ein vertrauter und zuverlässiger Partner im Leben werden kann.

Eine gute Beziehung zu unseren Kunden ist für Sunrise Medical von hoher Bedeutung. Wir möchten Sie gerne über unsere neuen und aktuellen Entwicklungen auf dem Laufenden halten.

Kundennähe bedeutet: schneller Service, so wenig Bürokratie wie möglich, enge Zusammenarbeit mit unseren Kunden. Wenn Sie Ersatzteile oder Zubehör brauchen oder einfach eine Frage zu Ihrem Rollstuhl haben – wir sind für Sie da.

Wir möchten, dass Sie mit unseren Produkten und unserem Service zufrieden sind. Wir von Sunrise Medical arbeiten daher ständig an der Weiterentwicklung unserer Produkte. Aus diesem Grund können in unserer Produktreihe Änderungen in der Form, Technologie und Ausstattung vorkommen. Es können also aus den Angaben und Abbildungen in diesem Handbuch keine Ansprüche abgeleitet werden.

Das Managementsystem von SUNRISE MEDICAL ist zertifiziert nach ISO 13485 und ISO 14001.

☺ SUNRISE MEDICAL erklärt als Hersteller, dass dieses Produkt mit der Medizinprodukte-Verordnung (2017/745) der EU konform ist.

HINWEIS:

Allgemeine Empfehlungen für den Benutzer.

Wenn diese Anweisungen nicht beachtet werden, kann das zu Körperverletzung, Beschädigung des Produkts oder Umweltschäden führen!

Hinweis an den Anwender und/oder den Patienten: Alle im Zusammenhang mit dem Produkt aufgetretenen schwerwiegenden Vorfälle sind dem Hersteller und der zuständigen Behörde des Mitgliedstaats, in dem der Anwender und/oder der Patient niedergelassen ist, zu melden.

FMG (Für Mich Gebaut) Sonderbauten

Sunrise Medical empfiehlt dringend, alle Informationen für den Benutzer, die mit Ihrem FMG-Produkt mitgeliefert werden, vor dem erstmaligen Gebrauch sorgfältig durchzulesen und sicherzustellen, dass alles verstanden wurde. Dadurch wird gewährleistet, dass Ihr FMG-Produkt wie vom Hersteller vorgesehen funktioniert.

Sunrise Medical empfiehlt die Benutzerinformationen und Dokumente für einen späteren Gebrauch sicher aufzubewahren und nicht zu entsorgen.

Kombinationen von Medizinprodukten

Dieses Medizinprodukt kann unter Umständen mit einem oder mehreren anderen Medizinprodukten bzw. anderen Produkten kombiniert werden. Informationen darüber, welche Kombinationen möglich sind, finden Sie unter www.sunrisemedical.de. Alle aufgeführten Kombinationen wurden überprüft, um die grundlegenden Sicherheits- und Leistungsanforderungen gemäß Anhang I Nr. 14.1 der EU-Verordnung 2017/745 über Medizinprodukte zu erfüllen.

Leitlinien zum Kombinieren wie etwa die Montage finden Sie unter www.sunrisemedical.de

Fragen zum Gebrauch, zur Wartung und Sicherheit Ihres Rollstuhls richten Sie bitte an den zuständigen, zugelassenen SUNRISE MEDICAL Fachhändler.

Falls sich kein zuständiger Fachhändler in Ihrer Nähe befindet oder falls Sie Fragen zur Produktsicherheit und Produktrückrufen haben, können Sie Sunrise Medical auch schriftlich oder telefonisch erreichen oder sich auf www.sunrisemedical.de informieren.



WICHTIG:

BENUTZEN SIE IHREN ROLLSTUHL ERST, WENN SIE DIESES HANDBUCH VOLLSTÄNDIG GELESEN UND VERSTANDEN HABEN. WENN DIESE ANWEISUNGEN NICHT BEACHTET WERDEN, KANN DAS ZU KÖRPERVERLETZUNG, BESCHÄDIGUNG DES PRODUKTS ODER UMWELTSCHÄDEN FÜHREN!

Sunrise Medical GmbH
Kahlbachring 2-4
69254 Malsch/Heidelberg
Deutschland
Tel.: +49 (0) 7253/980-0
Fax: +49 (0) 7253/980-222
kundenservice@sunrisemedical.de
www.sunrisemedical.de

Verwendung

Rollstühle sind ausschließlich für gehunfähige oder gehbehinderte Kinder und Erwachsene zum individuellen Gebrauch für Selbst- und unterstützte Beförderung (Schieben durch Begleitperson) im Haus und im Freien bestimmt.

Das Höchstgewicht (das Körpergewicht des Benutzers und das Gewicht des im Rollstuhl eingebauten Zubehörs) ist auf dem Etikett mit der Seriennummer angegeben, das am Achsrohr unter dem Sitz angebracht ist.

Eine Gewähr kann nur übernommen werden, wenn das Produkt unter den vorgegebenen Bedingungen und zu den vorgesehenen Zwecken eingesetzt wird. Die vorgesehene Lebensdauer des Produkts beträgt 5 Jahre. Bitte KEINE Teile von anderen Herstellern verwenden, außer diese sind von Sunrise Medical offiziell zugelassen.

Verwendungszweck.

Indikationen

Die Vielfalt an Ausstattungsvarianten sowie die modulare Bauweise erlauben einen Einsatz bei Gehunfähigkeit/ Gehbehinderung durch:

- Lähmung
- Gliedmaßenverlust (Beinamputation)
- Gliedmaßendefekt/Deformation
- Gelenkkontrakturen/-schäden
- Erkrankungen wie Herz- und Kreislaufinsuffizienz, Gleichgewichtsstörungen oder Kachexie, neurologische Krankheitsbilder, Muskeldystrophie, Hemiplegie sowie für Geriatriker mit noch verwendbaren Restkräften der oberen Gliedmaßen.

Kontraindikationen

Der Rollstuhl darf in folgenden Fällen nicht oder nur mit einer Begleitperson benutzt werden:

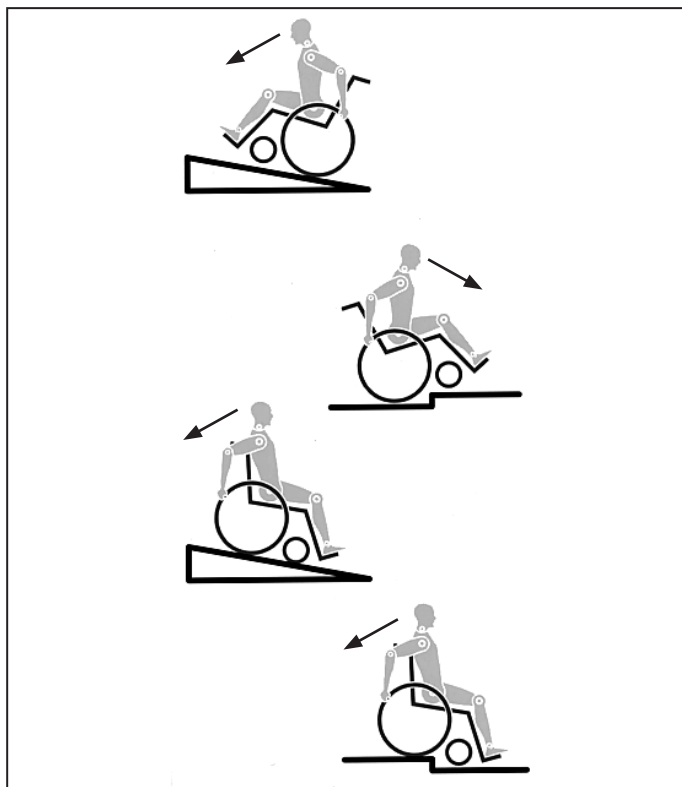
- Wahrnehmungsstörung
- Ungleichgewicht
- Verlust beider Arme, wenn keine Unterstützung durch eine Pflegeperson erfolgt
- Gelenkkontraktur oder Gelenkschäden an beiden Armen
- Sitzbehinderung

HINWEIS:

Bitte beachten Sie, dass zum Fahren eines Rollstuhls ausreichende kognitive, körperliche und visuelle Fertigkeiten erforderlich sind. Der Benutzer muss in der Lage sein, die Auswirkungen von Handlungen während des Betriebs des Rollstuhls zu beurteilen und sie bei Bedarf zu korrigieren. Diese Fähigkeiten und der sichere Gebrauch von zusätzlich angebauten Komponenten können von Sunrise Medical als dem Hersteller nicht beurteilt werden. Für daraus entstehende Schäden haften wir nicht.

Bitte beachten Sie die Bedienungsanleitung des Rollstuhls und der zusätzlich angebauten Komponenten. Unterweisen Sie den Benutzer im sicheren Gebrauch des Rollstuhls und der zusätzlich angebauten Komponenten. Informieren Sie die Benutzer über spezifische Warnungen, die gelesen, verstanden und respektiert werden müssen.

Beachten Sie bei der Versorgung außerdem auf Körpergröße, Gewicht, physische und psychische Verfassung, Alter des Behinderten, Wohnverhältnisse und Umwelt.



Technik und Bauweise dieses Rollstuhls sind für die maximale Sicherheit entworfen. Die aktuell gültigen internationalen Sicherheitsstandards wurden erfüllt oder teilweise überschritten. Dennoch kann sich der Benutzer einem Risiko aussetzen, wenn er den Rollstuhl nicht vorschriftsmäßig handhabt. Beachten Sie zu Ihrer eigenen Sicherheit bitte unbedingt die nachstehenden Regeln.

Unfachmännische oder fehlerhafte Änderungen oder Einstellungen erhöhen das Unfallrisiko. Als Rollstuhlfahrer sind Sie auch Verkehrsteilnehmer und Passant auf Straßen und Gehwegen. Wir möchten Sie daran erinnern, dass für Sie als Rollstuhlfahrer alle Verkehrsregeln gelten.

Seien Sie auf Ihrer ersten Fahrt im Rollstuhl besonders vorsichtig. Lernen Sie Ihren Stuhl kennen.

Überprüfen Sie Folgendes vor jedem Gebrauch:

- Schnellverschlussachsen an den Hinterrädern
- Klettverschluss am Sitz und an der Rückenlehne
- Reifen, Reifendruck und Feststellbremsen.

Sollten irgendwelche Veränderungen an den Einstellungen vorgenommen werden, ist es wichtig, den entsprechenden Abschnitt der Gebrauchsanweisung zu lesen.

Besonders beim Befahren von Steigungen oder Gefällen können Schlaglöcher oder unebener Untergrund den Rollstuhl zum Kippen bringen. Wird eine Stufe oder ein Anstieg vorwärts befahren, sollte der Körper nach vorne geneigt sein.

GEFAHR!

- Überschreiten Sie NIEMALS die Höchstlast von 125 kg für Fahrer inkl. mitgeführte Gegenstände. Bitte beachten Sie die Gewichtsangaben für die leichteren Gewichtsoptionen, die separat aufgeführt werden. Das Überschreiten der maximalen Zuladung kann zu Schäden am Stuhl, zu Fallen oder Kippen aus dem Rollstuhl, Verlust der Kontrolle oder zu schweren Verletzungen des Fahrers und anderer Personen führen.
- Tragen Sie im Dunklen möglichst helle Kleidung oder Kleidung mit Reflektoren, um besser gesehen werden zu können. Achten Sie darauf, dass die seitlich und rückwärtig am Rollstuhl angebrachten Reflektoren gut sichtbar sind. Wir empfehlen Ihnen auch das Anbringen einer aktiven Beleuchtung.
- Um Stürze und gefährliche Situationen zu vermeiden, sollten Sie den Umgang mit Ihrem neuen Rollstuhl erst auf ebenem, überschaubarem Gelände üben.

- Benutzen Sie zum Ein- oder Aussteigen aus dem Rollstuhl nicht die Fußbretter. Diese sollten vorher hochgeklappt und möglichst nach außen weggeschwenkt werden. Begeben Sie sich immer so nah wie möglich an die Stelle, an der Sie sitzen möchten.
- Setzen Sie Ihren Rollstuhl nur bestimmungsgemäß ein. Vermeiden Sie z.B. ein ungebremstes Fahren gegen ein Hindernis (Stufen, Bordsteinkante) oder Herunterfahren von Kanten.
- Die Feststellbremsen sind nicht dazu vorgesehen, den Rollstuhl während der Fahrt abzubremesen. Sie sichern den Rollstuhl gegen das Wegrollen. Wenn Sie auf unebenem Boden anhalten, ziehen Sie immer die Feststellbremsen an, damit der Stuhl nicht wegrollt. Ziehen Sie die Bremsen auf beiden Seiten an, sonst könnte der Stuhl kippen.
- Erforschen Sie die Auswirkungen von Schwerpunktverlagerungen auf das Verhalten des Rollstuhls, zum Beispiel auf Gefällstrecken, Steigungen, sämtlichen Neigungen oder beim Überwinden von Hindernissen nur mit sicherer Unterstützung eines Helfers.
- Bei extremen Einstellungen (z.B. Antriebsräder in vorderster Position) und ungünstiger Körperhaltung kann der Rollstuhl bereits auf ebener Fläche kippen.
- Neigen Sie Ihren Oberkörper beim Befahren von Steigungen und Stufen weit nach vorn.
- Lehnen Sie Ihren Oberkörper beim Befahren von Neigungen und Stufen weiter nach hinten. Versuchen Sie keinesfalls, Gefälle diagonal hinauf oder hinunter zu fahren.
- Vermeiden Sie Rolltreppen, da diese bei einem Sturz schwere Verletzungen verursachen können.
- Den Rollstuhl nicht an Gefällen > 10° verwenden. Die dynamische Stabilität an Gefällen hängt von der Konfiguration des Rollstuhls, den Fertigkeiten und dem Fahrstil des Benutzers ab. Da die Fertigkeiten des Benutzers und der Fahrstil nicht vorherbestimmt werden können, kann der Höchstwert für das sichere Gefälle nicht bestimmt werden. Dieser muss vom Benutzer mit Hilfe einer Begleitperson ermittelt werden, um das Umkippen zu verhindern. Für unerfahrene Benutzer wird der Einbau von Sicherheitsrädern dringend empfohlen.
- Besonders beim Befahren von Steigungen oder Gefällen können Schlaglöcher oder unebener Untergrund den Rollstuhl zum Kippen bringen.
- Den Rollstuhl nicht auf schlammigem oder vereistem Grund verwenden. Den Rollstuhl nur dort verwenden, wo auch Fußgänger zugelassen sind.
- Zur Vermeidung von Handverletzungen greifen Sie bei der Fahrt mit dem Rollstuhl nicht zwischen die Speichen oder zwischen das Antriebsrad und die Radbremse.
- Bei Verwendung von Leichtmetallgreifringen kann es beim Abbremsen aus schneller Fahrt oder auf längeren Gefällestrecken zum Erhitzen der Greifringe kommen.
- Wenn Gefälle/Steigungen seitwärts befahren werden, steigt die Gefahr, dass der Rollstuhl zur Seite kippt.
- Treppen dürfen nur mit Hilfe von Begleitpersonen überwinden werden. Sind dafür Einrichtungen wie z.B. Aufharrampen oder Aufzüge vorhanden, so sind diese zu benutzen. Fehlen solche Einrichtungen, ist der Rollstuhl anzukippen und über die Stufen zu führen (2 Helfer). Bei Benutzern mit einem Körpergewicht von über 100 kg empfehlen wir, diese Methode für Treppen nicht zu verwenden!
- Generell müssen montierte Sicherheitsräder zuvor so eingestellt werden, dass sie beim Transport nicht auf die Stufen aufsetzen können, da es sonst zu schweren Stürzen kommen kann. Anschließend müssen die Sicherheitsräder wider korrekt eingestellt werden.
- Achten Sie darauf, dass die Begleitpersonen den Rollstuhl nur an fest montierten Bauteilen anfassen (z.B. nicht an der Fußraste oder den Seitenteilen).
- Dieser Rollstuhl ist nicht für Krafttraining und/oder für den Gebrauch von Hanteln ausgelegt. Verwenden Sie nur Geräte, die eigens für diesen Zweck ausgelegt sind.
- Tragen oder heben Sie den Rollstuhl nicht an den Rückenrohren/Schiebegriffen oder an den Seitenteilen.
- Achten Sie beim Benutzen von Hebebühnen darauf, dass sich montierte Sicherheitsräder außerhalb des Gefahrenbereichs befinden.

- Sichern Sie Ihren Rollstuhl auf unebenem Gelände oder beim Umsteigen (z. B. ins Auto) durch Betätigen der Bremse.
- Wenn und wann immer möglich, sollten Fahrzeuginsassen während der Fahrt in einem Behindertentransportkraftwagen (BTW) die im Fahrzeug installierten Sitze und die dazugehörigen Rückhaltesysteme nutzen. Nur so sind Insassen bei einem Unfall optimal geschützt. Unter Verwendung der von SUNRISE MEDICAL angebotenen Sicherungselemente und dem Einsatz geeigneter Rückhaltesysteme, können die Leichtgewichtrollstühle als Sitz beim Transport im Behindertentransportkraftwagen genutzt werden. (Siehe Kapitel "Transport").
- Abhängig von Durchmesser und Einstellung der Lenkräder sowie der Schwerpunkteinstellung des Rollstuhls kann bei höheren Geschwindigkeiten ein Flattern der Lenkräder auftreten. Dies kann zu einem Blockieren der Lenkräder und zum Kippen des Rollstuhls führen. Achten Sie daher auf eine korrekte Einstellung der Lenkräder (siehe Kapitel "Lenkräder"). Befahren Sie insbesondere Gefällstrecken nicht ungebremst, sondern mit reduzierter Geschwindigkeit. Die Verwendung von Sicherheitsrädern ist bei ungeübten Nutzern unbedingt empfehlenswert.
- Die Sicherheitsräder sollen ein unbeabsichtigtes Kippen nach hinten verhindern. Keinesfalls sollen sie die Funktion von Transittrollen übernehmen, etwa um eine Person bei abgenommenen Antriebsrädern im Rollstuhl zu transportieren.
- Achten Sie beim Ergreifen von Gegenständen (die vor, seitlich oder hinter dem Rollstuhl liegen) darauf, dass Sie sich nicht zu weit aus dem Rollstuhl lehnen, da durch Schwerpunktverlagerung eine Kipp- bzw. Überschlaggefahr besteht. Das Aufhängen von zusätzlichen Lasten (Rucksack oder ähnliche Gegenstände) an die Rückenlehne Ihres Rollstuhls kann die Stabilität Ihres Rollstuhls nach hinten beeinträchtigen, vor allem, wenn der Rückenwinkel nach hinten verstellt wurde. Der Rollstuhl kann dadurch nach hinten kippen und Verletzungen verursachen.
- Anpassungen an Ihrem Rollstuhl, vor allem an sicherheitsrelevanten Bauteilen, müssen von einem autorisierten Fachhändler durchgeführt werden. Dies betrifft die Einstellung von Feststellbremsen, Sicherheitsrädern, Rückenwinkel- und höhe, Unterschenkelhöhe, Schwerpunkt, Beckengurt, Spur- und Sturz der Antriebsräder, Sitzhöhe sowie Nachlauf und Geradeauslauf der Lenkradgabel.
- Achten Sie bei Verwendung von angebautem Mobilitätszubehör wie Handbikes, elektrischen Zusatzantrieben etc. darauf, dass Ihr Rollstuhl mit den entsprechenden Lenkradgabeln ausgestattet ist, die für diesen Zweck vorgesehen sind. Bitte kontaktieren Sie diesbezüglich Ihren Fachhändler.
- Es dürfen ohne Genehmigung keine elektronischen Geräte, elektrische oder mechanisch betriebene Zusatzantriebe, Handbikes oder andere Vorrichtungen eingebaut werden, die die bestimmungsgemäße Verwendung oder den Aufbau des Rollstuhls verändern.
- Alle Kombinationen mit anderen Medizinprodukten müssen von Sunrise Medical genehmigt werden.
- Bitte beachten Sie, dass der Rollstuhl in bestimmten Konfigurationen eine Breite von 700mm überschreiten kann. Sollte dies der Fall sein, kann die Benutzung vorhandener Rettungswege unter Umständen nicht möglich sein. Eine Mitnahme in öffentlichen Verkehrsmitteln kann erschwert oder nicht möglich sein.
- Weitere Informationen und Sicherheitshinweise erhalten Sie von Ihrem autorisierten Fachhändler.
- Bei Oberschenkelamputation müssen die Sicherheitsräder verwendet werden.
- Achten Sie vor Fahrtantritt auf den korrekten Luftdruck der von Ihnen verwendeten Bereifung. Bei den Antriebsrädern muss er mindestens 3,5 bar (350 kPa) betragen. Der max. Luftdruck ist auf dem Reifen angegeben. Die Kniehebelbremsen sind nur bei ausreichendem Luftdruck und korrekter Einstellung wirksam (siehe Kapitel "Bremse").
- Sollte die Sitz- und Rückenbespannung beschädigt sein, tauschen Sie diese bitte umgehend aus.
- Vorsicht beim Umgang mit Feuer, insbesondere brennenden Zigaretten. Sitz- und Rückenbespannung könnten sich entzünden.
- Wenn der Rollstuhl längere Zeit direkter Sonneneinstrahlung ausgesetzt war, können Teile des Rollstuhls (z.B. Rahmen, Beinstützen, Bremsen und Seitenteil) heiß (>41°C) werden.
- Achten Sie stets darauf, dass die Steckachsen an den Antriebsrädern richtig eingestellt und eingerastet sind. Bei nicht gedrücktem Knopf der Steckachse darf sich das Antriebsrad nicht entfernen lassen.

 **WARNUNG!**

- Sowohl die Wirkung der Kniehebelbremse als auch das allgemeine Fahrverhalten sind vom Luftdruck abhängig. Mit korrekt aufgepumpten Antriebsrädern und gleichem Luftdruck auf beiden Rädern lässt sich Ihr Rollstuhl wesentlich leichter und besser manövrieren.
- Achten Sie auf eine ausreichende Profiltiefe Ihrer Bereifung! Beachten Sie bitte, dass Sie bei Fahrten im öffentlichen Straßenverkehr der Straßenverkehrsordnung unterliegen.
- Achten Sie bei Arbeiten oder bei Einstellung am Rollstuhl immer auf Ihre Finger!

 **WARNUNG!**

ERSTICKUNGSGEFAHR – Diese Mobilitätshilfe enthält Kleinteile, die unter Umständen eine Erstickungsgefahr für kleine Kinder darstellen können.

Die Rollstühle, die in diesem Handbuch abgebildet und beschrieben sind, entsprechen möglicherweise nicht in allen Einzelheiten genau Ihrem eigenen Modell. Dennoch sind alle Anweisungen trotz möglicher Detailunterschiede völlig relevant.

Der Hersteller behält sich das Recht vor, Gewichte, Abmessungen oder andere in diesem Handbuch aufgeführte technische Daten ohne vorherige Benachrichtigung zu ändern. Alle in diesem Handbuch aufgeführten Zahlenangaben, Abmessungen und Kapazitäten sind ungefähr und stellen keine präzisen technischen Daten dar.

IHRE GESETZLICHEN RECHTE SIND DURCH DIESE GARANTIE NICHT EINGESCHRÄNKT.

Sunrise Medical* gewährt seinen Kunden für alle Rollstühle eine Garantie gemäß den nachfolgenden Garantiebedingungen.

Garantiebedingungen:

1. Sollte ein Teil oder sollten Teile des Rollstuhls als Folge eines Herstellungsfehlers innerhalb von 24 Monaten bzw. bei Rahmen- und Kreuzstreben innerhalb von 5 Jahren nach der Auslieferung an den Käufer eine Reparatur oder einen Austausch benötigen, wird das betroffene Teil bzw. werden die betroffenen Teile repariert oder kostenlos ausgetauscht. Die Garantie deckt ausschließlich Herstellungsfehler ab.
2. Zur Geltendmachung der Garantie benachrichtigen Sie bitte umgehend den Sunrise Medical Kundendienst mit einer genauen Beschreibung des Problems. Sollten Sie den Rollstuhl außerhalb des Zuständigkeitsbereichs des Sunrise Medical Kundendienstes verwenden, werden Reparatur oder Austausch von einem anderen, vom Hersteller bezeichneten Kundendienst ausgeführt. Der Rollstuhl muss von einem von Sunrise Medical bezeichneten Kundendienst /Händler repariert werden.
3. Für Teile, die im Rahmen dieser Garantie repariert oder ausgetauscht werden, gewähren wir eine Garantie nach diesen Garantiebedingungen für die für den Rollstuhl verbleibende Garantiedauer nach Ziffer 1.
4. Auf Original-Ersatzteile, die auf Kosten des Kunden eingebaut wurden, wird nach dem Einbau gemäß den Garantiebedingungen eine Garantie von 12 Monaten gewährt.
5. Ansprüche aus dieser Garantie entfallen, wenn eine Reparatur oder ein Ersatz des Rollstuhls oder eines Teiles aus den folgenden Gründen erforderlich ist:
 - a. Normaler Verschleiß an Bauteilen wie beispielsweise Batterien, Armpolster, Sitz- und Rückenbespannung, Polster, Reifen, Bremsen etc.
 - b. Überlastung des Produkts, bitte überprüfen Sie die maximal zulässige Zuladung des Produkts auf dem Typenschild.
 - c. Das Produkt oder das Teil wurde nicht gemäß den in der Betriebsanleitung und/oder dem Service-Handbuch aufgeführten Empfehlungen des Herstellers gepflegt oder gewartet.
 - d. Es wurde Zubehör verwendet, bei dem es sich nicht um Originalzubehör handelte.
 - e. Der Rollstuhl oder ein Teil des Rollstuhls wurde durch Nachlässigkeit, Unfall oder unsachgemäße Verwendung beschädigt.
 - f. Änderungen/Modifikationen am Rollstuhl oder an Teilen, die von den Herstellerspezifikationen abweichen.
 - g. Es wurden Reparaturen durchgeführt, bevor unser Kundendienst über den jeweiligen Sachverhalt informiert wurde.
6. Diese Garantie unterliegt dem Recht des Landes, in dem das Sunrise Medical Produkt gekauft wurde.

* Standort von Sunrise Medical, von dem das Produkt gekauft wurde.

Technische Daten**MAXIMALE ZULADUNG: 125 KG****SIEHE AUCH SEITE 5**

Nach EN12183: 2009 sind alle aufgeführten Teile (Sitz- und Rückenbespannung, Armpolster, Seitenverkleidung...) schwer entflammbar gemäß EN1021-2.

Die dynamische Stabilität an Gefällen hängt von der Konfiguration des Rollstuhls, den Fertigkeiten und dem Fahrstil des Benutzers ab. Da die Fertigkeiten des Benutzers und der Fahrstil nicht vorherbestimmt werden können, kann der Höchstwert für das sichere Gefälle nicht bestimmt werden. Dieser muss vom Benutzer mit Hilfe einer Begleitperson ermittelt werden, um das Umkippen zu verhindern. Für unerfahrene Benutzer wird der Einbau von Sicherheitsrädern dringend empfohlen.

Das Rollstuhl stimmt mit den folgenden Standards überein:

- a) Anforderungen und Testmethoden für statische, Auswirkungs- und Ermüdungsstärke (ISO 7176-8)
- b) Anforderungen für Brandverhalten gemäß ISO 7176-16 (EN 1021-1)

GEFAHR!

Bei Nichtbeachtung dieser Ratschläge besteht die Gefahr von schweren Körperverletzungen und sogar Lebensgefahr!

Transport Ihres Rollstuhls in einem Fahrzeug:

Ein in einem Fahrzeug gesicherter Rollstuhl bietet nicht die gleiche Sicherheit wie das Sitzsystem eines Fahrzeugs. Wir empfehlen immer, soweit möglich, den Nutzer in einen festen Fahrzeugsitz umzusetzen. Wir erkennen an, dass dies in der Praxis nicht immer möglich ist. In diesem Fall müssen die folgenden Ratschläge beachtet werden, wenn der Benutzer im Rollstuhl sitzend transportiert werden muss:

1. Überprüfen Sie, dass das Fahrzeug für den Transport eines Insassen in einem Rollstuhl ausgestattet ist und über einen für Ihren Rollstuhltyp geeigneten Zugang/Ausgang verfügt. Das Fahrzeug muss über eine ausreichende maximale Zuladung, d.h., das Körpergewicht des Benutzers und das Gewicht von Rollstuhl und Zubehör, verfügen.
2. Um den Rollstuhl herum sollte genügend Platz zur Verfügung stehen, damit das Rückhaltesystem des Rollstuhls und die Sicherheitsgurte für den Benutzer angelegt, festgezogen und wieder geöffnet werden können.
3. Wenn sich der Benutzer im Rollstuhl befindet, muss dieser vorwärts gerichtet stehen und mit den Befestigungsgurten für den Rollstuhl und den Sicherheitsgurten des Rollstuhls (Befestigungsgurte gemäß WTORS müssen den Anforderungen von ISO 10542 oder SAE J2249 entsprechen) gemäß der Gebrauchsanweisung des Herstellers des Rückhaltesystems (WTORS) befestigt werden.
4. Das Sitzschalenuntergestell Der Rollstuhl wurde für den Transport in einem Fahrzeug in einer anderen Stellung nicht geprüft, so darf z.B. das Sitzschalenuntergestell der Rollstuhl keinesfalls seitlich gerichtet transportiert werden (Fig. A).
5. Der Rollstuhl muss mit einem Rückhaltesystem gemäß ISO 10542 oder SAE J2249 mit nicht verstellbaren Gurten vorne und verstellbaren Gurten hinten gesichert werden, dabei handelt es sich normalerweise um Karabinerhaken/S-förmige Haken sowie um Steckverschlüsse. Die Rückhaltesysteme bestehen normalerweise aus 4 Einzelgurten, die an den vier Ecken des Rollstuhls befestigt werden.
6. Das Rückhaltesystem muss wie auf der nächsten Seite abgebildet am Fahrgestell des Rollstuhls und nicht an Anbauten oder Zubehör, z.B. nicht um die Speichen der Räder, die Bremse oder Fußraste befestigt werden.

7. Das Rückhaltesystem muss so nah wie möglich mit einem Winkel von 45 Grad angebracht und gemäß der Bedienungsanleitung des Herstellers sicher befestigt werden.

8. Ohne Rücksprache mit dem Hersteller dürfen an den Befestigungspunkten des Rollstuhls oder an Bauteilen des Fahrgestells und des Rahmens keine Änderungen vorgenommen bzw. diese nicht ausgewechselt werden. Bei Nichtbeachtung dieser Vorgabe dürfen Sunrise Medical Rollstühle nicht in Fahrzeugen transportiert werden.

9. Der Benutzer muss sowohl mit dem Beckengurt als auch mit dem Schultergurt angeschnallt werden, um die Wahrscheinlichkeit eines Aufpralls von Kopf und Brust auf die Bauteile des Fahrzeugs und schwere Körperverletzungen beim Benutzer und anderen Fahrzeuginsassen zu verringern. (Fig. B) Der Schultergurt muss an der "B"-Säule des Fahrzeugs befestigt werden - bei Nichtbeachtung erhöht sich die Gefahr von schweren Bauchverletzungen für den Benutzer.

10. Eine für den Transport geeignete Kopfstütze (siehe Aufkleber an der Kopfstütze) muss eingebaut und während des Transports stets richtig angebracht sein.

11. Haltevorrichtungen (Beckenriemen, Beckengurte) dürfen bei der Fahrt nur zur Sicherung des Rollstuhlbenutzers verwendet werden, wenn auf dem Etikett angegeben ist, dass sie die Anforderungen von ISO 7176-19 oder SAE J2249 erfüllen.

12. Die Sicherheit des Benutzers während des Transports hängt von der Sorgfalt ab, mit der das Rückhaltesystem befestigt wird, die Person, von der die Befestigung ausgeführt wird, sollte in der Bedienung des Systems unterwiesen bzw. geschult sein.

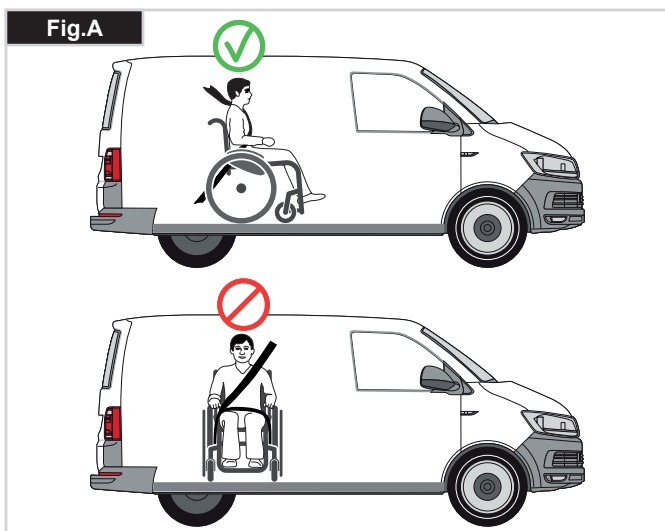
13. Soweit möglich sollten alle Hilfsmittel vom Rollstuhl abgenommen und sicher verstaut werden wie etwa: Krücken, lose Kissen und Therapeutische.

14. Hochschwenkbare/höhenverstellbare Fußrasten dürfen nicht hochgestellt sein, wenn der Benutzer im Rollstuhl sitzend transportiert wird und der Rollstuhl mit einem Rückhaltesystem und Sicherheitsgurt gesichert ist.

15. Verstellbare Rücken müssen in die aufrechte Position gebracht werden.

16. Die manuelle Bremse muss fest angezogen werden.

17. Die Sicherheitsgurte müssen an der "B"-Säule des Fahrzeugs angebracht werden und dürfen nicht durch Rollstuhlteile wie Armlehnen oder Räder vom Körper ferngehalten werden.



ANLEITUNG FÜR DAS ANSCHNALLEN DES ROLLSTUHLBENUTZERS:

1. Der Beckengurt muss unten an der Vorderseite des Beckens getragen werden, so dass der Winkel des Beckengurtes innerhalb des bevorzugten Bereichs von 30 bis 75 Grad zur Horizontalen liegt.

Ein steilerer (größerer) Winkel innerhalb des bevorzugten Bereichs ist wünschenswert, d.h., näher an 75°, aber keinesfalls darüber. (Fig. C)

2. Der Schultergurt muss wie in Fig. D und E gezeigt über die Schulter und quer über die Brust passen.

Sicherheitsgurte müssen so fest wie möglich sitzen ohne den Benutzerkomfort zu beeinträchtigen.

Sicherheitsgurte dürfen beim Gebrauch nicht verdreht sein.

Der Schultergurt muss wie in Fig. D und E gezeigt über die Schulter und quer über die Schulter passen.

3. Die Befestigungspunkte am Rollstuhl befinden sich am vorderen inneren Seitenteil des Fahrgestells direkt über dem Lenkrad und am hinteren Seitenteil des Fahrgestells. Die Gurte werden um die Seitenteile des Fahrgestells an der Stelle befestigt, an der das waagrechte und das senkrechte Rohr aufeinandertreffen. (Siehe Fig. G - K)

4. Die Position der Befestigungsgurte für den Rollstuhl ist mit dem Symbol für den Befestigungspunkt (Fig. F) markiert. Wenn die vorderen Gurte zur Befestigung des Rollstuhls angebracht sind, werden die Gurte gestrafft.

Minimales Körpergewicht des Fahrers

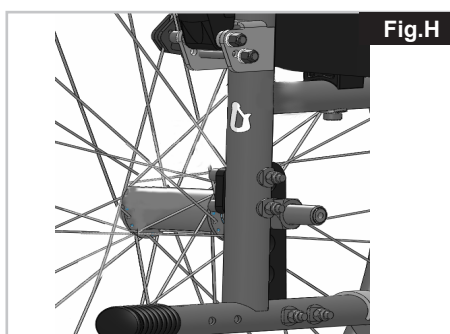
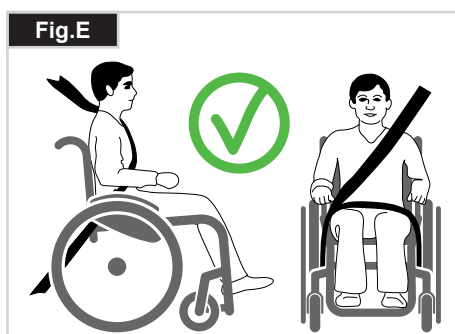
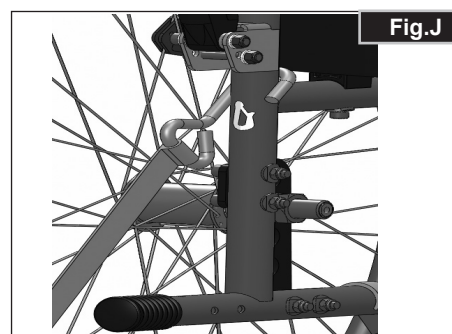
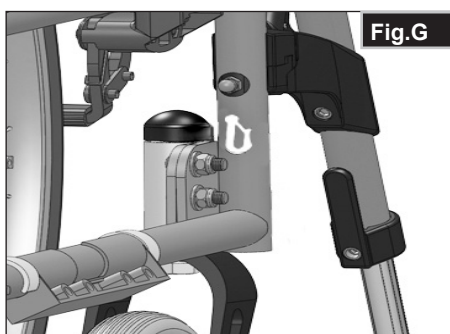
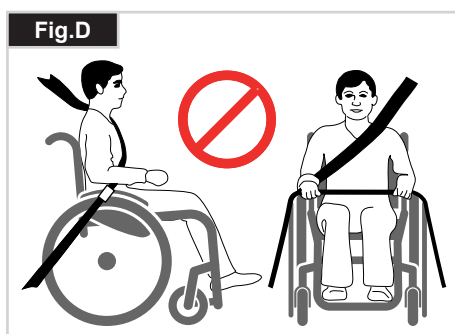
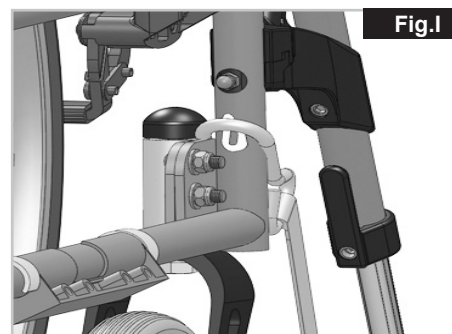
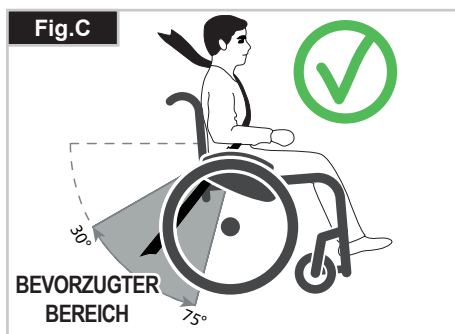
Wenn ein Kind mit einem Körpergewicht von unter 22 kg befördert wird und weniger als acht (8) Insassen im Fahrzeug sitzen, wird empfohlen, ein Rückhaltesystem für Kinder (CRS) gemäß UNCE Regulation 44 zu verwenden.

Diese Art von Rückhaltesystem bietet einen wirksameren Schutz als der normale Dreipunkt-Sicherheitsgurt in Fahrzeugen und manche Rückhaltesysteme für Kinder verfügen auch über zusätzliche Haltevorrichtungen, die dazu beitragen, die Sitzhaltung des Kindes aufrecht zu erhalten. Eltern oder Therapeuten können unter bestimmten Umständen auch erwägen, dass ihr Kind während der Fahrt im Rollstuhl sitzen bleibt, da der Rollstuhl für eine bessere Haltungskontrolle sorgt und mehr Komfort bietet.

In diesem Fall empfehlen wir, dass Ihr Gesundheitspfleger und sachkundige Personen eine Risikoanalyse durchführen.

Lage der Befestigungspunkte für das Rückhaltesystem am Rollstuhl:

1. Lage der vorderen und hinteren Verankerungsaufkleber (Fig. G - H).
2. Lage der vorderen (Fig. I) und hinteren (Fig. J) Aufkleber mit den Befestigungspunkten für das Rückhaltesystem am Rollstuhl und des Verankerungsaufklebers.
3. Seitenansicht der Befestigungsgurte (Fig. K).



Handhabung

FALTEN

Nehmen Sie zuerst das Sitzkissen vom Rollstuhl ab und klappen Sie die (durchgehende) Fußbretter oder die geteilten Fußraste hoch. Ergreifen Sie die Schlinge bzw. die Sitzrohre in der Mitte, von unten her, und ziehen Sie sie nach oben. Der Rollstuhl klappt sich dann zusammen. Je nach Modell können Sie die Fußstützen abmontieren, um den Rollstuhl so klein wie möglich zu falten, z.B. um ihn in einem Auto zu verstauen. Zu diesem Zweck öffnen Sie den Riegel von außen, und schwenken Sie die Fußstütze zur Seite. Danach muss die Fußstütze nur noch aus ihrem Halterohr gezogen werden (Fig. 1).



ENTFALTEN

Drücken Sie auf die Sitzrohre (siehe Abbildung). Dadurch klappt der Rollstuhl auf. Lassen Sie dann die Sitzrohre in der Aufnahme einrasten. Es geht einfacher, wenn der Rollstuhl leicht gekippt wird, weil dadurch ein Hinterrad entlastet wird. Achten Sie darauf, dass Sie die Finger nicht in der Kreuzstrebe einklemmen. Das Sitzkissen wieder anbringen (Fig. 2).

Transportieren des Rollstuhls

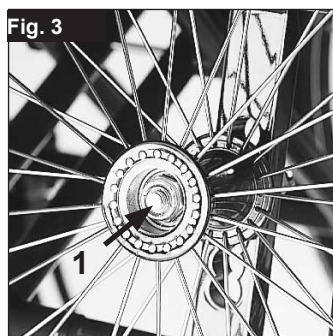
Beim Transport des unbesetzten Rollstuhls in einem Fahrzeug sollte dieser sicher verzurrt oder angeschnallt werden.

Steckachsen an den Hinterrädern (Fig. 3)

Um den Stuhl so kompakt wie möglich zu halten, können Sie die Hinterräder abnehmen. Die Hinterräder sind mit Steckachsen ausgestattet. Damit können die Räder ohne Werkzeug montiert und abgenommen werden. Zum Abnehmen des Rads den Arretierknopf an der Achse (1) drücken und das Antriebsrad herausziehen.

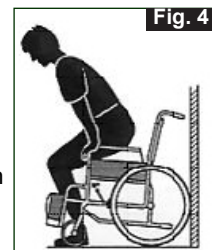
⚠ VORSICHT!

Halten Sie bei der Montage der Hinterräder den Steckachsenknopf auf der Achse niedergedrückt, wenn Sie die Achse in den Rahmen stecken. Beim Loslassen des Knopfs rastet die Achse ein, und der Schnellverschlussknopf springt in seine Ausgangsposition zurück.



ALLEINE IN IHREM ROLLSTUHL EINSTEIGEN (Fig. 4)

- Den Rollstuhl an eine Wand oder ein solides Möbelstück schieben;
- Die Bremse anziehen;
- Die Fußplatten nach oben klappen;
- Der Benutzer kann sich dann selbst in den Rollstuhl herablassen;
- Die Fußplatten dann nach unten klappen und die Füße vor den Fersenbändern darauf abstützen.



ALLEINE AUS IHREM ROLLSTUHL AUSSTEIGEN (Fig. 5)

- Die Bremse anziehen;
- Die Fußbretter mit Gelenk nach oben klappen;
- Die Fußplatten mit Gelenk nach oben klappen; die Person leicht nach vorne beugen, um das Körpergewicht auf die Vorderkante des Sitzes zu verlagern und mit beiden Füßen fest auf dem Boden und einem Fuß hinter dem anderen in die aufrechte Position schieben.



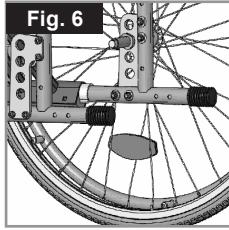
⚠ WARNUNG!

Beim Stehen nicht auf die Fußplatten stellen, da der Rollstuhl sonst umkippt. Das Einsteigen in Ihren Rollstuhl ist einfacher und sicherer, wenn Sie die Fußplatten nach oben klappen und zur Seite schieben oder sie vom Rollstuhl abnehmen.

Optionen - Ankippbügel

ANKIPPBÜGEL (Fig. 6)

Ankippbügel werden von Begleitpersonen benutzt, um den Rollstuhl nach hinten anzukippen. Um den Rollstuhl zum Beispiel auf einen Bordstein oder eine Stufe zu schieben, tritt man einfach mit dem Fuß auf den Bügel.



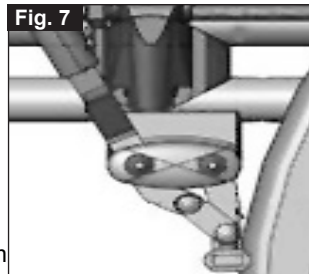
⚠ VORSICHT!

Sunrise Medical empfiehlt dringend, bei allen Modellen, die vorwiegend von einer Begleitperson geschoben werden, einen Ankippbügel zu verwenden. Wenn der Rollstuhl nicht mit einem Ankippbügel ausgestattet ist und das Rückenrohr ständig als Hebel zum Kippen des Rollstuhls benutzt wird, kann dadurch das Rückenrohr beschädigt werden.

Optionen - Bremsen

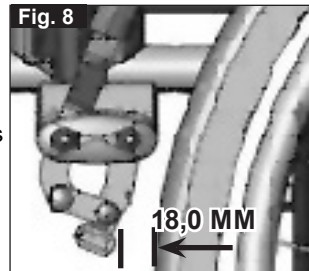
FESTSTELLBREMSEN

Ihr Rollstuhl ist mit zwei Feststellbremsen ausgestattet, die direkt gegen die Räder geführt werden. Um die Feststellbremsen anzuziehen, drücken Sie beide Bremshebel nach vorn, gegen den Anschlag. Zum Loslassen der Bremse ziehen Sie die Hebel zurück in ihre Ausgangsposition.



Die Bremsen sind weniger wirksam bei:

- abgefahrenem Reifenprofil
- zu niedrigem Reifendruck
- nassen Reifen.
- inkorrektener Einstellung



Die Feststellbremsen sind nicht als Bremsen für den fahrenden Rollstuhl entworfen. Die Feststellbremsen dürfen daher nicht zum Abbremsen des Stuhls verwendet werden. Benutzen Sie dazu immer die Hände. Achten Sie darauf, dass der Abstand zwischen den Reifen und den Feststellbremsen mit den angegebenen Spezifikationen übereinstimmt. Der Abstand wird justiert, indem Sie die Schraube lockern und den richtigen Abstand einstellen. Die Schraube dann wieder anziehen (Fig. 7 und 8).

⚠ VORSICHT!

Prüfen Sie den Abstand der Feststellbremsen nach jeder Justierung des Hinterrads und stellen Sie ihn gegebenenfalls neu ein.

BREMSHEBELVERLÄNGERUNG Fig. 9

Die Verlängerung für den Feststellbremshebel kann abgenommen oder heruntergeklappt werden. Mit einem längeren Hebel brauchen Sie weniger Kraft, um die Feststellbremse zu betätigen (Fig. 9).



⚠ VORSICHT!

Wenn die Feststellbremse zu nah am Rad montiert ist, erfordert die Betätigung einen höheren Kraftaufwand. Dadurch kann es zu Bruch des Verlängerungshebels kommen!

⚠ VORSICHT!

Wenn Sie sich beim Ein- und Aussteigen auf den Verlängerungshebel stützen, bricht der Verlängerungshebel ab! Spritzwasser von den Rädern kann zur Fehlfunktion der Feststellbremsen führen.

Trommelbremsen

Trommelbremsen stellen für den Helfer eine sichere und geeignete Bremsmethode dar. Die Bremsen können ebenfalls mit einem Verschlusshebel (1) angezogen werden, um das Wegrollen zu verhindern. Der Hebel muss hörbar einrasten. Die Trommelbremsen werden nicht vom Reifendruck beeinflusst (Fig. 10).



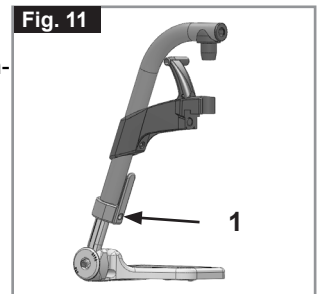
⚠ WARNUNG!

- Trommelbremsen dürfen nur von zugelassenen Fachhändlern justiert werden.
- Betätigen Sie die beiden Bremsen immer gleichzeitig, um zu gewährleisten, dass Sie die Kontrolle über die Fahrtrichtung behalten!
- Trommelbremsen können nur als dynamische Bremse zum Anhalten des Rollstuhls während der Fahrt verwendet werden.
- Betätigen Sie immer die Feststellbremse, um den Rollstuhl bei kurzem oder langem Anhalten oder zum Umsteigen zu sichern.

Optionen - Fußplatten

FUSSPLATTEN:

Die Fußplatten können hochgeklappt werden, um das Ein- und Aussteigen zu erleichtern.

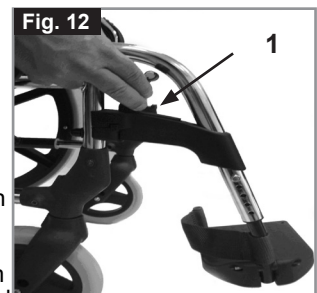


UNTERSCHENKELLÄNGE:

Für Fahrer mit längeren Beinen kann die Beinstütze mittels der Schrauben (1) entsprechend abgesenkt werden. Lockern Sie die Schrauben, schieben Sie die Rohre auf die gewünschte Position, und ziehen Sie die Schrauben wieder fest (siehe unter Drehmoment). Die Fußplatten müssen mindestens 25 mm Abstand vom Boden haben, (Fig. 11).

BEINSTÜTZEN UND VERRIEGELUNG

Die Beinstützen können nach innen unter die Sitzschlinge oder nach außen geschwenkt werden. Beim Montieren der Beinstütze müssen die Fußbretter nach innen bzw. außen zeigen. Drehen Sie dann die Beinstütze nach innen bzw. außen, bis sie einrastet. Zum Abmontieren ziehen Sie den Hebel (1) schwenken Sie die Fußplatte nach innen oder außen, und heben Sie die Beinstütze heraus. Achten Sie auf das korrekte Einrasten der Beinstütze, (Fig. 12).



⚠ VORSICHT!

- Der Rollstuhl darf nicht an den Beinstützen angehoben oder getragen werden.
- Benutzen Sie zum Ein- oder Aussteigen aus dem Rollstuhl nicht die Fußbretter. Sie müssen vorher hochgeklappt werden oder die Fußraste muss so weit wie möglich nach außen geschwenkt werden.

OPTION HÖHENVERSTELLBARE FUSSRASTE

(Fig. 13-15)

Zum Abnehmen den Hebel (1) betätigen, die Fußbretter nach außen schwenken und die Fußraste herausheben.

HÖHENEINSTELLUNG:

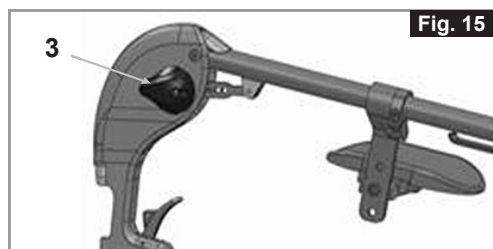
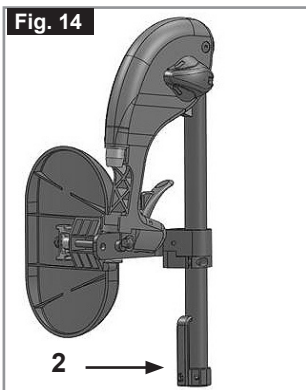
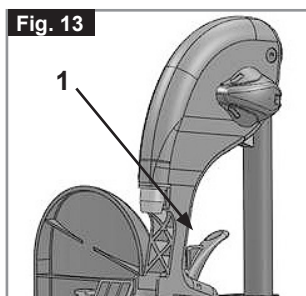
Die Unterschenklänge kann durch Lösen der Schraube (2) stufenlos verstellt werden. Auf eine passende Höhe einstellen und die Schraube wieder festziehen.

⚠ VORSICHT!

Der Abstand zwischen der Fußbrettern und dem Boden muss mindestens 25mm betragen.

EINSTELLEN DES WINKELS:

Drücken Sie den Hebel (3) mit einer Hand nach unten und halten Sie die Fußraste mit der anderen Hand fest, um sie zu entlasten. Wenn der gewünschte Winkel erreicht ist, lassen Sie den Hebel los und die Fußraste rastet in eine der voreingestellten Positionen ein.

**VERSTELLEN DES WADENPOLSTERS**

(Fig. 16).

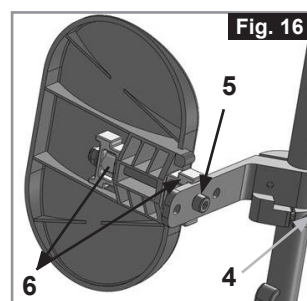
Das Wadenpolster kann wie folgt verstellt werden:

Höhe: Lösen Sie die Schraube (4) und schieben Sie das Klemmstück auf die gewünschte Position.

Durch das Drehen des Klemmstücks kann auch der Winkel verstellt werden.

Tiefe: Lösen Sie die Schraube (5) und schieben Sie das Wadenpolster in die gewünschte Position.

Breite: Lösen Sie die Schraube (5) und bringen Sie die Distanzstücke (6) so hinter dem Polster an, dass die gewünschte Position erreicht ist.

**⚠ WARNUNG!**

- Halten Sie beim Anheben oder Absenken der Fußraste die Hände vom Verstellmechanismus zwischen dem Fahrgestell und den beweglichen Teilen der Fußraste fern.
- Achten Sie immer darauf, dass die Befestigungsteile gesichert sind.
- Die Fußrasten dürfen nicht zum Anheben oder zum Tragen des Rollstuhls verwendet werden.
- Quetschgefahr! Greifen Sie beim Verstellen der Fußraste nach oben oder unten nicht in den Verstellmechanismus zwischen den beweglichen Teilen der Fußraste.

AMPUTATIONS AUFLAGE

(Fig. 17).

Die Amputationsauflage kann je nach Bedarf in alle Richtungen eingestellt werden.

**Optionen - Lenkräder****LAUFRÄDER, LAUFRADPLATTEN, GABELN**

Es kann vorkommen, dass der Rollstuhl einen leichten Rechts- oder Linksdrall entwickelt oder dass die Laufräder schlingern. Das kann folgende Gründe haben:

- Der Radlauf vorwärts oder rückwärts ist nicht richtig eingestellt.
- Der Laufradwinkel ist nicht richtig eingestellt.
- Der Druck im Laufrad und /oder Hinterrad ist nicht korrekt; die Räder drehen sich nicht sanft.

Der Rollstuhl kann nicht in einer geraden Linie fahren, wenn die Laufräder nicht richtig eingestellt sind. Die Laufräder müssen immer von einem zugelassenen Fachhändler eingestellt werden. Die Feststellbremse muss immer überprüft werden, wenn die Position des Hinterrads verstellt wurde.

Die Sitzhöhe wird durch die Lenk- und Antriebsradposition festgelegt. Die Sitzhöhe kann durch Veränderung der Position der Antriebsräder und Lenkräder eingestellt werden.

⚠ VORSICHT!

Nach der SitzhöhenEinstellung, müssen alle Schrauben wieder festgezogen und die Bremse neu eingestellt werden. Die Lenkräder müssen auf 90° eingestellt sein.

EINSTELLUNG LENKACHSENWINKEL:

(Fig. 18 - 19).

Lösen Sie die Schrauben (1), stellen Sie den Lenkradwinkel auf 90° ein. Ziehen Sie die Schrauben wieder fest.

⚠ VORSICHT!

Der Lenkradwinkel muss auf beiden Seiten auf den gleichen Wert

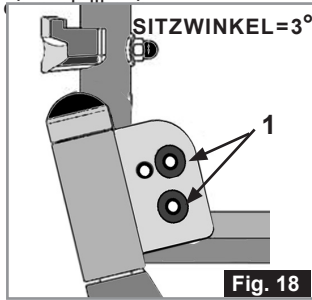


Fig. 18

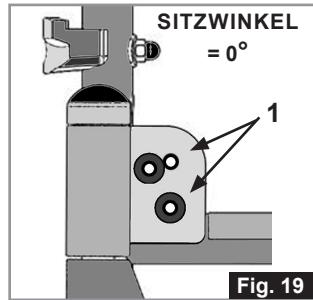


Fig. 19

POSITION DES ACHSADAPTERS

Der Achsadapter kann entweder vor dem Rückenrohr eingebaut werden für ein besseres Fahrverhalten oder dahinter, um die Kippgefahr zu verringern (Fig. 20). Ein größerer Radstand bietet mehr Schutz gegen Umkippen.

Zum Vergrößern des Radstandes den Achsenadapter (1) zur Rückseite des Rollstuhls drehen.

⚠ VORSICHT!

Die Feststellbremse muss der neuen Position entsprechend verstellt werden.

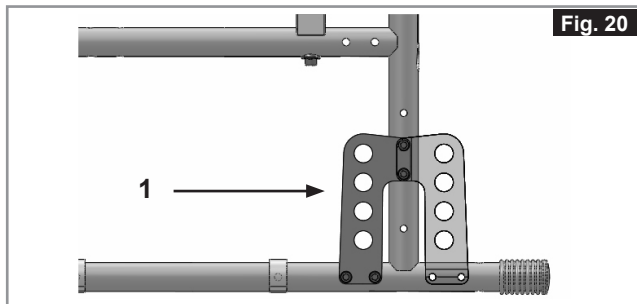


Fig. 20

Optionen - Seitenteil

STANDARDSEITENTEILE, HOCHKLAPPBAR, MIT KURZEN ODER LANGEN ARMLEHNEN

Das nach vorne abgerundete Seitenteil ermöglicht es Ihnen, nahe an einen Tisch heranzufahren. Zum Hochklappen der Armlehne betätigen Sie den Hebel (1), um das Seitenteil zu entriegeln (Fig. 21).

Die Länge der Armlehne kann verstellt werden, dazu die Schrauben (2) lösen, dann die Armlehne auf die gewünschte Position schieben und die Schrauben wieder festziehen (Fig. 22).



Fig. 21



Fig. 22

⚠ WARNUNG!

Die Seitenteile, wie deren Armlehnen sind zum Anheben oder Tragen des Rollstuhles nicht geeignet.

SEITENTEIL, HOCHSCHWENKBAR, ABNEHMBAR MIT KURZER / LANGER ARMAUFLAGE, HÖHENVERSTELLBAR

Die Armauflage kann folgendermaßen in der Höhe verstellt werden. Drücken Sie den Hebel nach unten und verstellen Sie die Armauflage auf die gewünschte Höhe (3).

Lassen Sie den Hebel los und drücken Sie die Armauflage nach unten, bis sie hörbar einrastet. Kontrollieren Sie immer, dass die Seitenteile richtig eingerastet sind.

Zum Hochschwenken drücken Sie den Hebel (1), damit das Seitenteil entriegelt wird.

Die Länge der Armauflage kann eingestellt werden, indem Sie die Schrauben (2) lösen, die Armauflage in die entsprechende Position schieben und die Schrauben wieder anziehen (Fig. 23).

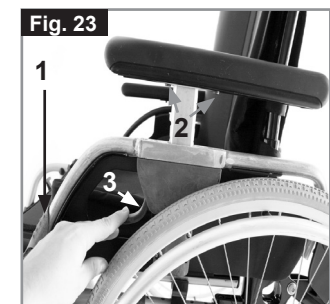


Fig. 23

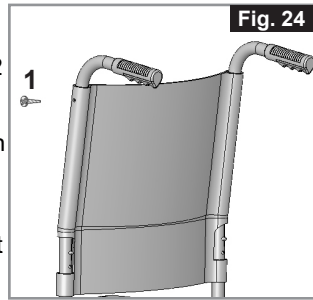
⚠ WARNUNG!

Die Seitenteile, wie deren Armlehnen sind zum Anheben oder Tragen des Rollstuhles nicht geeignet.

Optionen - Rücken

HÖHENVERSTELLBARE RÜCKENLEHNE

Die Höhe des Rückens kann auf 2 verschiedene Positionen eingestellt werden (410 mm und 435 mm). Die Schrauben (1) lösen und abnehmen und die Rückenbespannung auf die gewünschte Position schieben. Ziehen Sie den Bolzen wieder fest (Fig. 24).



Optionen - Sicherheitsräder

SICHERHEITSRÄDER

Sicherheitsräder verschaffen unerfahrenen Rollstuhlbenutzern zusätzliche Sicherheit, wenn sie den Umgang mit dem Rollstuhl erlernen. Sie hindern den Rollstuhl daran, nach hinten zu kippen.

Durch Druck auf den Verschlussknopf (1) können die Sicherheitsräder nach oben gestellt oder entfernt werden. Zwischen Rohr und Boden muss ein Abstand von 30 mm bis 50 mm verbleiben.

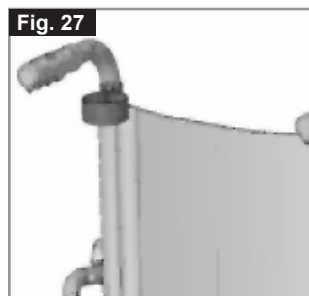
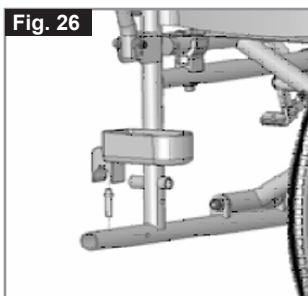
Wenn Sie ein größeres Hindernis überwinden (z.B. einen Bordstein befahren), müssen die Sicherheitsräder nach oben gedreht werden, damit sie den Boden nicht berühren. Drehen Sie die Sicherheitsräder anschließend wieder auf die normal vorgesehene Stellung herunter. (Fig. 25).



⚠️ WARNUNG!

Bei falscher Einstellung der Sicherheitsräder kann der Rollstuhl nach hinten kippen.

Optionen - Stockhalter



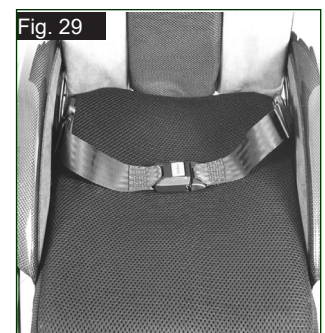
Beckengurt

⚠️ GEFAHR!

- Vor dem Gebrauch des Rollstuhls sicherstellen, dass der Beckengurt angelegt ist.
- Der Beckengurt muss täglich überprüft werden, um sicherzustellen, dass keine Behinderung oder übermäßige Abnutzung vorliegt.
- Achten Sie immer darauf, dass der Beckengurt vor dem Anlegen korrekt angebracht und eingestellt ist. Wenn der Gurt zu locker sitzt, kann der Benutzer nach unten rutschen und es besteht Erstickungsgefahr oder es kann zu schweren Verletzungen kommen.

Der Beckengurt ist wie abgebildet am Rollstuhl angebracht. Der Gurt besteht aus 2 Hälften. Diese werden mit der Befestigungsschraube für die Haltestange befestigt, die durch die Öse am Gurt gesteckt wird. Der Gurt wird unter der Rückseite des Seitenteils entlang geführt. (Fig. 28)

Bringen Sie den Gurt so an, dass sich die Schnallen in der Mitte des Sitzes befinden. (Fig. 29)



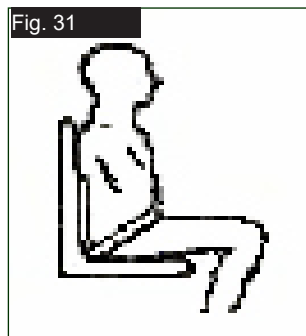
Passen Sie den Beckengurt wie folgt an den Benutzer an:

Gurt kürzer machen	Gurt länger machen
<p>Übrige Gurtlänge durch den Einsteckteil des Steckverschlusses und die Schlaufe zurück fädeln. Darauf achten, dass der Gurt am Einsteckteil des Steckverschlusses keine Schlinge aufweist.</p>	<p>Um den Gurt länger zu machen, übrige Gurtlänge durch die Schlaufen und den Einsteckteil des Steckverschlusses fädeln.</p>

Nach dem Anschnallen den Abstand zwischen dem Beckengurt und dem Benutzer prüfen. Bei richtiger Einstellung passt nicht mehr als eine Handfläche zwischen den Beckengurt und den Benutzer. (Fig.30)

Beckengurt...

Der Beckengurt sollte so eingestellt werden, dass der Gurt in einem Winkel von 45 Grad zum Becken des Benutzers sitzt. Der Benutzer sollte aufrecht und so weit hinten wie möglich im Sitz sitzen, wenn dieser richtig eingestellt ist. Der Beckengurt muss so eingestellt sein, dass der Benutzer nicht im Sitz nach unten rutschen kann. (Fig. 31)




Zum Anschließen:
Das Einsteckteil des Steckverschlusses fest in das Gurtschloss stecken.

Zum Öffnen:
Die sichtbaren Teile des Steckverschlusses gleichzeitig zusammendrücken und zur Mitte schieben, während Sie sie gleichzeitig vorsichtig auseinander ziehen.

! WARNUNG!

- Wenn Sie Fragen zur Benutzung und Bedienung des Beckengurts haben, wenden Sie sich an Ihren Rollstuhlhändler, Pfleger oder an Ihre Begleitperson.
- Wenn Sie einen Beckengurt nachrüsten wollen, kontaktieren Sie bitte Ihren von Sunrise Medical autorisierten Fachhändler.
- Der Beckengurt muss täglich überprüft werden, um sicherzustellen, dass er richtig eingestellt ist und keine Behinderung oder übermäßige Abnutzung vorliegt.
- Sunrise Medical empfiehlt den Transport von Personen in Fahrzeugen mit dem Beckengurt als Rückhaltesystem nicht.

 Siehe die Transit-Broschüre von Sunrise Medical für weitere Informationen zum Thema Transport.

Wartung:

Prüfen Sie den Beckengurt und die Befestigungsteile in regelmäßigen Abständen auf Verschleißanzeichen oder Schäden. Je nach Bedarf muss er ausgetauscht werden.

! WARNUNG

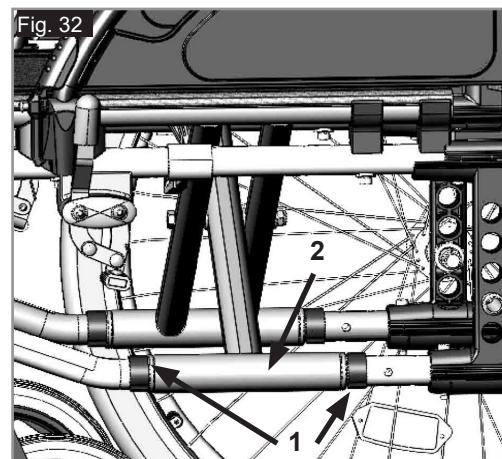
Der Beckengurt sollte wie oben beschrieben an den Endbenutzer angepasst werden. Sunrise Medical empfiehlt auch, die Länge und die Passform des Gurts regelmäßig zu überprüfen, um die Gefahr zu verringern, dass der Endbenutzer den Gurt aus Versehen zu lang einstellt.

Optionen - Sitztiefe

SITZTIEFE

Durch Entfernen der Klips (1) kann die Kreuzstreben-Einheit (2) den Rahmen entlang geschoben werden, wodurch die Sitztiefe geändert wird (je nach der Position der Rückenrohre).

Vergewissern Sie sich, dass die Clips (1) in die vorgesehenen Löcher am Rahmen einschnappen. (Fig. 32).



Optionen - Therapietisch

THERAPIETISCH

Der Therapietisch bietet eine Arbeitsfläche für die meisten Aktivitäten. Das Tablett muss vor der Benutzung von einem zugelassenen Fachhändler auf die jeweilige Sitzbreite eingestellt werden. Bei dieser Einstellung muss der Fahrer im Rollstuhl sitzen, (Fig. 33).



Typenschild

Typenschild

Das Typenschild befindet sich entweder unter der Kreuzstreben Einheit oder am diagonalen Rahmenrohr, auch auf dem Benutzerhandbuch befindet sich ein entsprechendes Etikett. Auf dem Typenschild sind das exakte Modell und andere technische Daten angegeben. Wenn Sie ein Ersatzteil bestellen oder einen Anspruch geltend machen, halten Sie bitte folgende Angaben bereit:

- Seriennummer
- Bestellnummer
- Monat/Jahr



	Sunrise Medical GmbH Kahlbachring 2-4 D-69254 Malsch / Germany	2021-04-09
TYPE:	Rollstuhl	SN 203211733451939
Parix2	ISO 7176-19:2008	
XXX kg	max X°	XXX mm
XXX mm		

CH	REP	Sunrise Medical AG Erlenauweg 17 CH-3110 Münsingen Schweiz/Suisse/Svizzera
-----------	------------	---

TYPE:	Produktbezeichnung/Artikelnummer
--------------	----------------------------------

max X°	Maximale Steigung bzw. maximales Gefälle, das mit den Sicherheitsrädern befahren werden kann, hängt von den Einstellungen des Rollstuhls, der Haltung und den physischen Fähigkeiten des Benutzers ab.
--------	--

XXX mm	Sitzbreite.
--------	-------------

XXX mm	Sitztiefe.
--------	------------

XXX kg	Max. Gesamtgewicht.
--------	---------------------

	UKCA-Kennzeichnung.
--	---------------------

	CE-Kennzeichnung.
--	-------------------

	Ziehen Sie die Bedienungsanleitung zu Rate.
--	---

XXXX-XX-XX	Herstellungsdatum.
------------	--------------------

	Seriennummer.
--	---------------

	Dieses Symbol bedeutet Medizinprodukt.
--	--

	Adresse des Herstellers
--	-------------------------

ISO 7176-19:2008	Crash getestet nach ISO 7176-19:2008
-------------------------	--------------------------------------

	Adresse des Importeurs
--	------------------------

	Verantwortliche Person (Vereinigtes Königreich)
--	---

	Adresse des Bevollmächtigten für die Schweiz
--	--

Tägliche Überprüfungen

VORSICHT!

Als Benutzer bemerken Sie mögliche Schäden als Erstes. Wir empfehlen daher, dass Sie vor jeder Benutzung die Punkte in der folgenden Liste überprüfen:

- Überprüfen Sie den korrekten Reifendruck.
 - Überprüfen Sie, dass die Bremsen richtig funktionieren.
 - Überprüfen Sie, ob alle abnehmbaren Teile sicher befestigt sind, z.B. Armlehnen, Fußrasten, Steckachsen usw.
 - Überprüfen Sie den Rollstuhl auf sichtbare Schäden, z.B. an Rahmen, Rückenlehne, Sitz- und Rückenbespannung, Rädern, Fußplatte usw.
- Sollten Sie Schäden oder Funktionsfehler feststellen, wenden Sie sich bitte an Ihren autorisierten Fachhändler.

REIFEN UND MONTAGE

Vollgummireifen werden werksseitig als Standardausstattung eingebaut.

Stellen Sie bei Luftreifen sicher, dass die Reifen immer den korrekten Luftdruck aufweisen, da sonst die Leistung des Rollstuhls beeinträchtigt werden kann. Wenn der Druck zu niedrig ist, erhöht sich die Reibung beim Fahren, und der Antrieb erfordert größeren Kraftaufwand. Auch die Manövrierfähigkeit wird von einem zu niedrigen Reifendruck beeinträchtigt. Wenn der Druck zu hoch ist, kann der Reifen platzen. Auf der Reifenoberfläche ist jeweils der korrekte Luftdruck angegeben.

Die Reifen werden wie gewöhnliche Fahrradreifen montiert. Bevor Sie den inneren Schlauch einlegen, achten Sie darauf, dass die Felge und die Innenseite des Reifens von Schmutzpartikeln frei sind. Nach der Montage oder Reparatur des Reifens, muss der Luftdruck geprüft werden. Für Ihre eigene Sicherheit und für die optimale Leistung des Stuhls ist es äußerst wichtig, dass sich die Reifen in gutem Zustand befinden und den vorgeschriebenen Druck aufweisen.



ISO 7010-M002
Die Gebrauchsanweisung muss gelesen werden! (Blaues Symbol)

Wartung und Pflege

- Prüfen Sie alle 4 Wochen den Reifendruck. Prüfen Sie alle Reifen auf Abnutzung und Schäden.
- Prüfen Sie etwa alle 4 Wochen die Bremsen, um sicherzustellen, dass sie korrekt funktionieren und leicht zu bedienen sind.
- Wechseln Sie die Reifen, so wie Sie dies mit gewöhnlichen Fahrradreifen machen würden.
- Alle Gelenke, die für den Gebrauch des Rollstuhls wichtig sind, besitzen selbstsichernde Muttern. Prüfen Sie alle drei Monate, ob alle Bolzen fest sitzen (siehe unter Drehmoment). Selbstsichernde Muttern sollten nur einmal verwendet und dann ausgewechselt werden.
- Verwenden Sie nur milde Reinigungsmittel, wenn der Rollstuhl schmutzig ist. Zum Reinigen der Sitzbespannung nur Wasser und Seife benutzen.
- Verwenden Sie ausschließlich durch Sunrise Medical zugelassene Originalersatzteile. Verwenden Sie keine Teile von anderen Herstellern, die nicht von Sunrise Medical freigegeben wurden.
- Falls das Sitzschalenuntergestell beim Betrieb nass geworden ist, trocknen Sie ihn bitte anschließend ab.
- Alle 8 Wochen sollten die Steckachsen mit etwas Nähmaschinenöl geschmiert werden. Je nach der Häufigkeit und Art der Benutzung, empfehlen wir, den Rollstuhl alle 12 Monate vom ausgebildeten Personal des zugelassenen Fachhändlers warten zu lassen.
- Wenn Sie den Rollstuhl für längere Zeit einlagern möchten, sind keine besonderen Maßnahmen notwendig. Achten Sie darauf, dass der Rollstuhl bei Raumtemperatur an einem trockenen und vor starker Sonneneinstrahlung geschützten Ort gelagert wird. Vor Wiederinbetriebnahme sollte der Rollstuhl von einem autorisierten Fachhändler überprüft werden.

VORSICHT!

Durch Sand und Meerwasser (oder Salz im Winter) können die Lager der vorderen und hinteren Räder beschädigt werden. Reinigen Sie den Rollstuhl gründlich, wenn er solchen Bedingungen ausgesetzt war.

Die folgenden Teile können abgenommen und an den Hersteller/Händler zur Reparatur versandt werden:

- Antriebsräder
- Armlehnen
- Sicherheitsräder

Diese Bauteile sind als Ersatzteile erhältlich. Weitere Informationen entnehmen Sie dem Ersatzteilkatalog.

Hygienemaßnahmen bei Wiedereinsatz:

Bevor der Rollstuhl wiedereingesetzt wird, muss er sorgfältig vorbereitet, eingestellt und hygienisch gereinigt werden. Alle Oberflächen, mit denen der Benutzer in Berührung kommt, müssen mit einem Desinfektionsmittel besprüht werden. Dafür muss ein in Ihrem Land zugelassenes/ empfohlenes Desinfektionsmittel zur schnellen Desinfektion auf Alkoholbasis für Medizinprodukte und -geräte verwendet werden, die schnell desinfiziert werden müssen. Bitte beachten Sie die Gebrauchsanweisung des Herstellers für das Desinfektionsmittel, das Sie benutzen. Im Allgemeinen kann an den Nähten keine vollständige Desinfektion garantiert werden. Wir empfehlen daher, die Sitz- und Rückenbespannung zu entsorgen, um eine mikrobielle Kontamination mit Wirkstoffen gemäß dem vor Ort geltenden Infektionsschutzgesetz zu vermeiden.

Fehlersuche

ROLLSTUHL HAT DRALL IN EINE RICHTUNG

- Reifendruck überprüfen (nur bei Luftreifen).
- Prüfen, ob sich das Rad reibungslos dreht (Lager, Achse)
- Überprüfen, dass die Lenkradwinkel einheitlich eingestellt sind und die Lenkräder richtig auf dem Boden aufliegen.
- Sicherstellen, dass sich die Lager der Lenkradgabel ungehindert drehen können.

LENKRÄDER BEGINNEN ZU FLATTERN

- Winkel der Lenkräder überprüfen.
- Prüfen, ob alle Bolzen fest sitzen; wenn nötig nachziehen (siehe unter Drehmoment).
- Prüfen, ob beide Lenkräder den richtigen Bodenkontakt haben.

ROLLSTUHL QUIETSCHT UND KLAPPERT

- Prüfen, ob alle Bolzen fest sitzen; wenn nötig nachziehen (siehe unter Drehmoment).
- Etwas Schmieröl auf die Stellen träufeln, wo bewegliche Teile miteinander in Kontakt kommen.

ROLLSTUHL FÄNGT AN, ZU SCHLINGERN

- Den Winkel der Laufradbefestigung prüfen.
- Prüfen Sie alle Reifen auf Abnutzung oder Schäden.
- Prüfen Sie, ob die Hinterräder uneinheitlich eingestellt oder befestigt sind.

Entsorgung / Recycling von Materialien

HINWEIS: Wenn Ihnen der Rollstuhl kostenlos zur Verfügung gestellt wurde, gehört er Ihnen evtl. nicht. Wenn er nicht mehr benötigt wird, befolgen Sie die Anweisungen der Organisation, die den Rollstuhl zur Verfügung gestellt hat, um ihn zurückzugeben.

Im Folgenden werden die Materialien beschrieben, die für den Rollstuhl verwendet wurden im Hinblick auf die Entsorgung oder das Recycling des Rollstuhls und dessen Verpackung. Besondere Vorschriften bezüglich der Entsorgung oder dem Recycling können vor Ort gelten und diese müssen bei der Veranlassung der Entsorgung berücksichtigt werden. (Dazu gehören etwa die Reinigung oder Dekontaminierung des Rollstuhls vor der Entsorgung.)

Stahl: Befestigungsteile, Steckachse, Seitenteile, Armlehnen, Rahmen, Fußraste, Schiebegriffe.

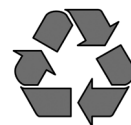
Kunststoff: Handgriffe, Lenkradgabeln, Rohrstopfen, Lenkräder, Fußplatten, Armpolster und 12" Rad/Reifen, Räder, Seitenteile.

Aluminium: Kreuzstrebe, Fußraste, Seitenteile und Lenkradgabeln.

Verpackung: Plastiktüte aus Polyethylen weich, Karton.

Polsterung: Polyestergewebe mit PVC-Beschichtung und schwer entflammbarem Schaumstoff.

Die Entsorgung oder das Recycling sollte über eine Entsorgungsfirma oder eine öffentliche Entsorgungsstelle erfolgen. Sie können Ihren Rollstuhl zur Entsorgung auch an Ihren Fachhändler zurückgeben.



Sunrise Medical S.r.l.
Via Riva, 20 – Montale
29122 Piacenza
Italia
Tel.: +39 0523 573111
Fax: +39 0523 570060
www.SunriseMedical.it

Sunrise Medical AG
Erlenauweg 17
CH-3110 Münsingen
Schweiz/Suisse/Svizzera
Fon +41 (0)31 958 3838
Fax +41 (0)31 958 3848
www.SunriseMedical.ch

Sunrise Medical AS
Delitoppen 3
1540 Vestby
Norge
Telefon: +47 66 96 38 00
post@sunrisemedical.no
www.SunriseMedical.no

Sunrise Medical AB
Neogatan 5
431 53 Mölndal
Sweden
Tel.: +46 (0)31 748 37 00
post@sunrisemedical.se
www.SunriseMedical.se

MEDICCO s.r.o.
H – Park, Heršpická 1013/11d,
639 00 Brno
Czech Republic
Tel.: (+420) 547 250 955
Fax: (+420) 547 250 956
www.medicco.cz
info@medicco.cz
Bezplatná linka 800 900 809

Sunrise Medical Aps
Mårkærvej 5-9
2630 Taastrup
Denmark
+45 70 22 43 49
info@sunrisemedical.dk
Sunrisemedical.dk

Sunrise Medical Australia
11 Daniel Street
Wetherill Park NSW 2164
Australia
Ph: +61 2 9678 6600
enquiries@sunrisemedical.com.au
www.SunriseMedical.com.au

Sunrise Medical
North American Headquarters
2842 Business Park Avenue
Fresno, CA, 93727, USA
(800) 333-4000
(800) 300-7502
www.SunriseMedical.com



Sunrise Medical GmbH
Kahlbachring 2-4
69254 Malsch/Heidelberg
Deutschland
Tel.: +49 (0) 7253/980-0
Fax: +49 (0) 7253/980-222
www.SunriseMedical.de

Sunrise Medical
Thorns Road
Brierley Hill
West Midlands
DY5 2LD
England
Phone: 0845 605 66 88
Fax: 0845 605 66 89
www.SunriseMedical.co.uk

Sunrise Medical S.L.
Polígono Bakiola, 41
48498 Arrankudiaga – Vizcaya
España
Tel.: +34 (0) 902142434
Fax: +34 (0) 946481575
www.SunriseMedical.es

Sunrise Medical Poland
Sp. z o.o.
ul. Elektronowa 6,
94-103 Łódź
Polska
Telefon: + 48 42 275 83 38
Fax: + 48 42 209 35 23
E-mail: pl@sunrisemedical.de
www.Sunrise-Medical.pl

Sunrise Medical HCM B.V.
Vossenbeemd 104
5705 CL Helmond
The Netherlands
T: +31 (0)492 593 888
E: customerservice@sunrisemedical.nl
www.SunriseMedical.nl
www.SunriseMedical.eu
(International)

Sunrise Medical SAS
ZAC de la Vrillonnerie
17 Rue Michaël Faraday
37170 Chambray-Lès-Tours
Tel : +33 (0) 2 47 55 44 00
Email: info@sunrisemedical.fr
www.sunrisemedical.fr

